

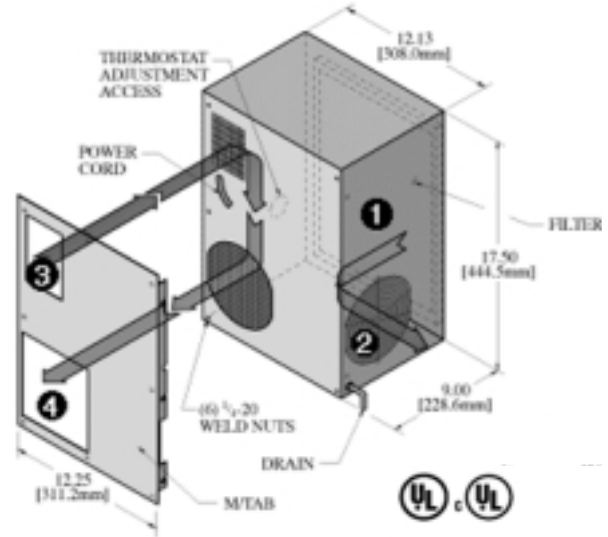
NP17 SERIES TRIMLINE AIR-COOLED PANEL-MOUNTED AIR CONDITIONERS

KOOLTRONIC closed-loop air conditioners seal enclosures, cool, dehumidify and recirculate the clean air throughout the components to provide protection from high temperatures or airborne contaminants. The TrimLine air conditioner line offers a narrow profile, the innovative M/TAB (Mounting Template and Assembly Bracket) mounting system and several standard features that were previously available as options.

Features

All KOOLTRONIC air conditioners feature a hot gas bypass valve, causing "cycle-free" compressor operation, for greater reliability, longer life for the compressor and control system and more stable equipment temperature. The continuously operating compressor and non-electric control system provide thermostat-free automatic temperature regulation over a broad range of operating conditions and eliminate transients during compressor start-up. To prevent over-cooling, a low temperature control and EMI/RFI suppressor are included in all KOOLTRONIC air conditioners.

- **CLOSED-LOOP COOLING:**
No ambient air can invade the cool, dehumidified sensitive component compartment.
- **RUGGED CONSTRUCTION:**
Ensures air conditioners will stand up under tough applications.
- **REFRIGERANTS:**
CFC-free R134a Refrigerant.
- **PERMANENT FILTERS:**
May be reused after washing off.
- **CONDENSATE EVAPORATOR:**
Eliminates need for draining normal condensate.
- **EMI/RFI SUPPRESSOR:**
Minimizes transient line spikes during on/off cycling.
- **UL/CUL LISTED OR RECOGNIZED:**
All NP17 models are *UL/CUL Listed*.
- **LOW TEMPERATURE CONTROL:**
Prevents over-cooling and provides energy-efficient operation.



WELD NUTS SUPPLIED FOR ALTERNATE MOUNTING METHOD TO MAINTAIN NEMA 12. MOUNTING PLANS FURNISHED ON REQUEST.

- 1 FILTERED CONDENSER AIR INLET (Ambient Air In)
- 2 CONDENSER OUTLET (Warm Ambient Air Out)

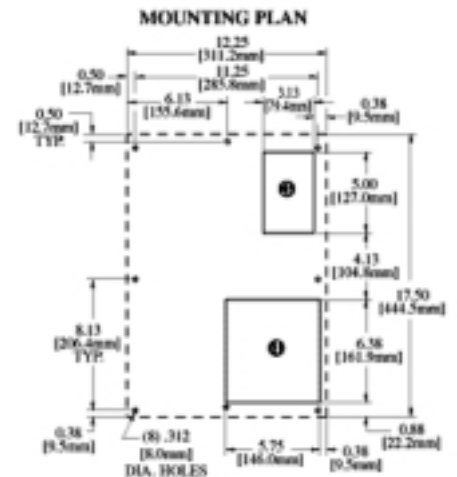
- 3 WARM AIR RETURN FROM ENCLOSURE
- 4 COOL AIR OUTLET TO ENCLOSURE

Dimensions, inches (metric), are for reference only and subject to change.

BTU/H Rating ¹	Ambient Temperature		Volts ²	Hz ²	Running Amps ¹	Part #
	Max./Min. °F	°C				
1000	125/50	51.6/10.0	115/100	60/50	6.7/6.5	KA4C1.0NP17L
1000	125/50	51.6/10.0	230/200	60/50	4.3	K2A4C1.0NP17L
1000	125/50	51.6/10.0	115/100	60/50	6.7/6.5	KA4C1.5NP17L
1000	125/50	51.6/10.0	230/200	60/50	4.3	K2A4C1.5NP17L
1800	125/50	51.6/10.0	115/100	60/50	6.7/6.5	KA4C1.8NP17L
1800	125/50	51.6/10.0	230/200	60/50	4.3	K2A4C1.8NP17L
2000	125/50	51.6/10.0	115/100	60/50	6.7/6.5	KA4C2.0NP17L
2000	125/50	51.6/10.0	230/200	60/50	4.3	K2A4C2.0NP17L

¹ Rating shown is for operation at maximum ambient temperature.

² 115V,60 Hz and 230V,60 Hz models also perform at full capacity when operated at 100V,50 Hz or 200V,50 Hz respectively. No transformer is required.



Availability: stock - 2 weeks
Prices subject to change without notice