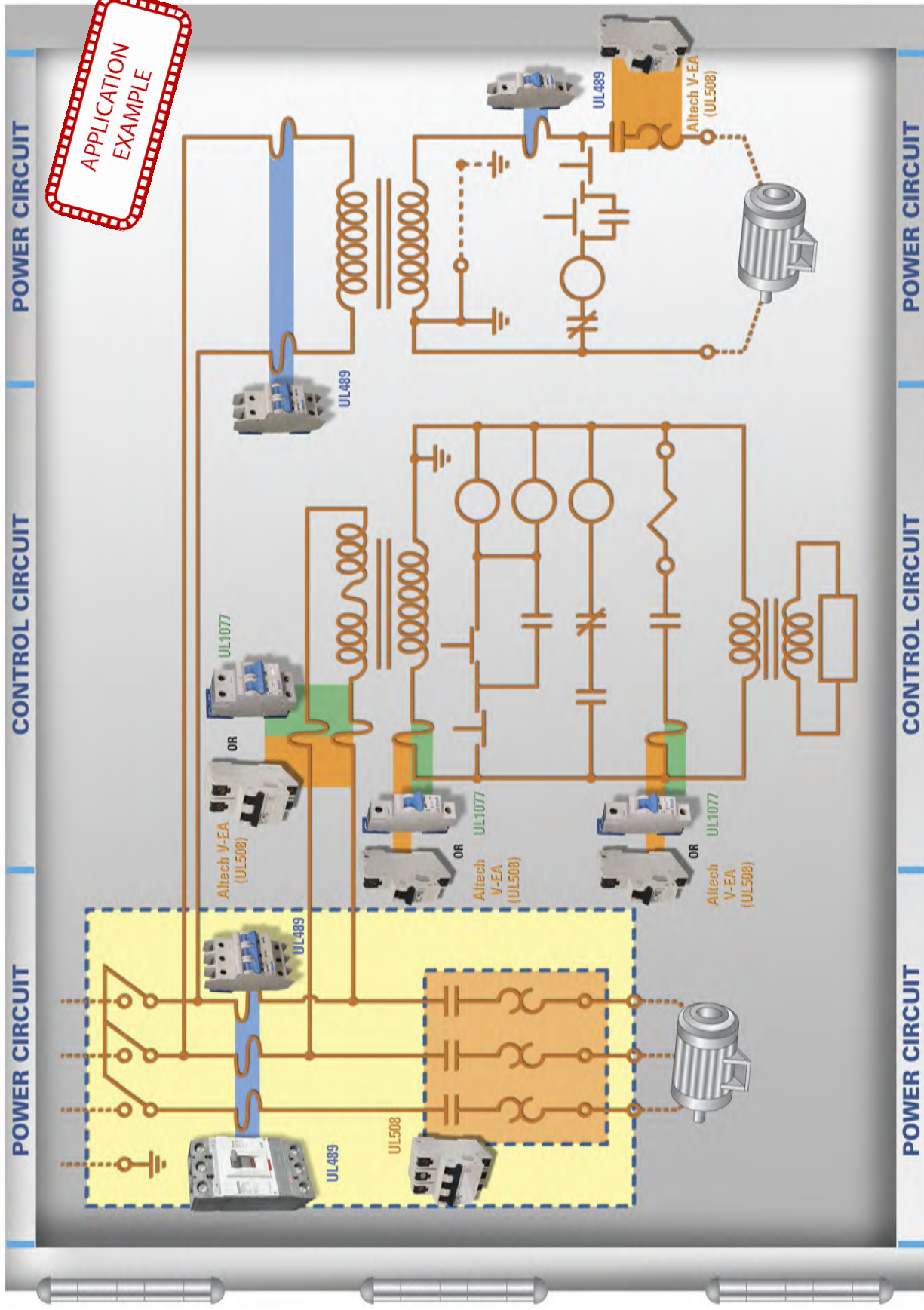


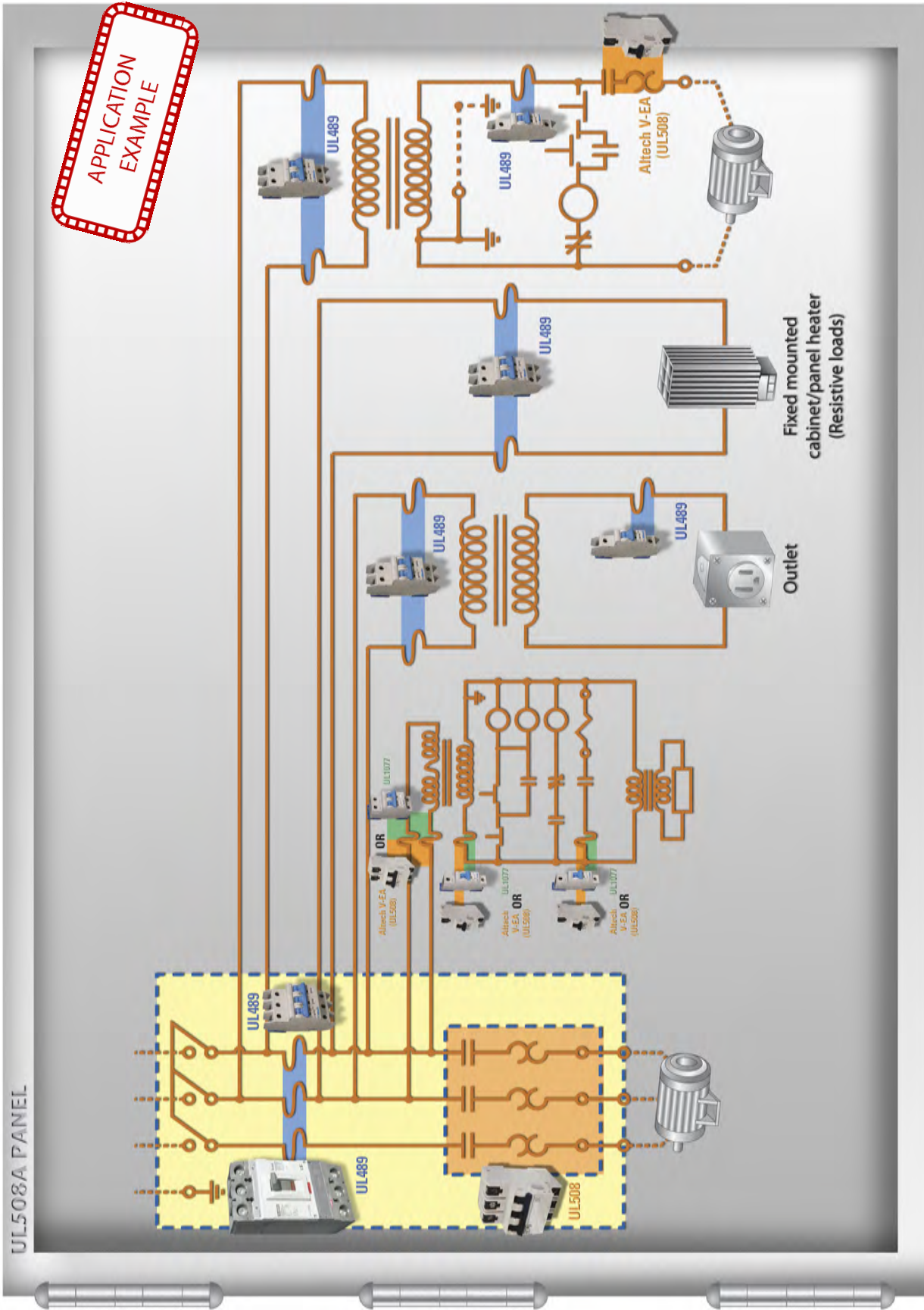
Typical UL508A Panel



Disclaimer: This is an application example. Installation should be done by a qualified electrician under the guidance of UL/NEC® specifications.

Variation of UL508A Panel

(see NEC® article 430.53 for reference and more information).



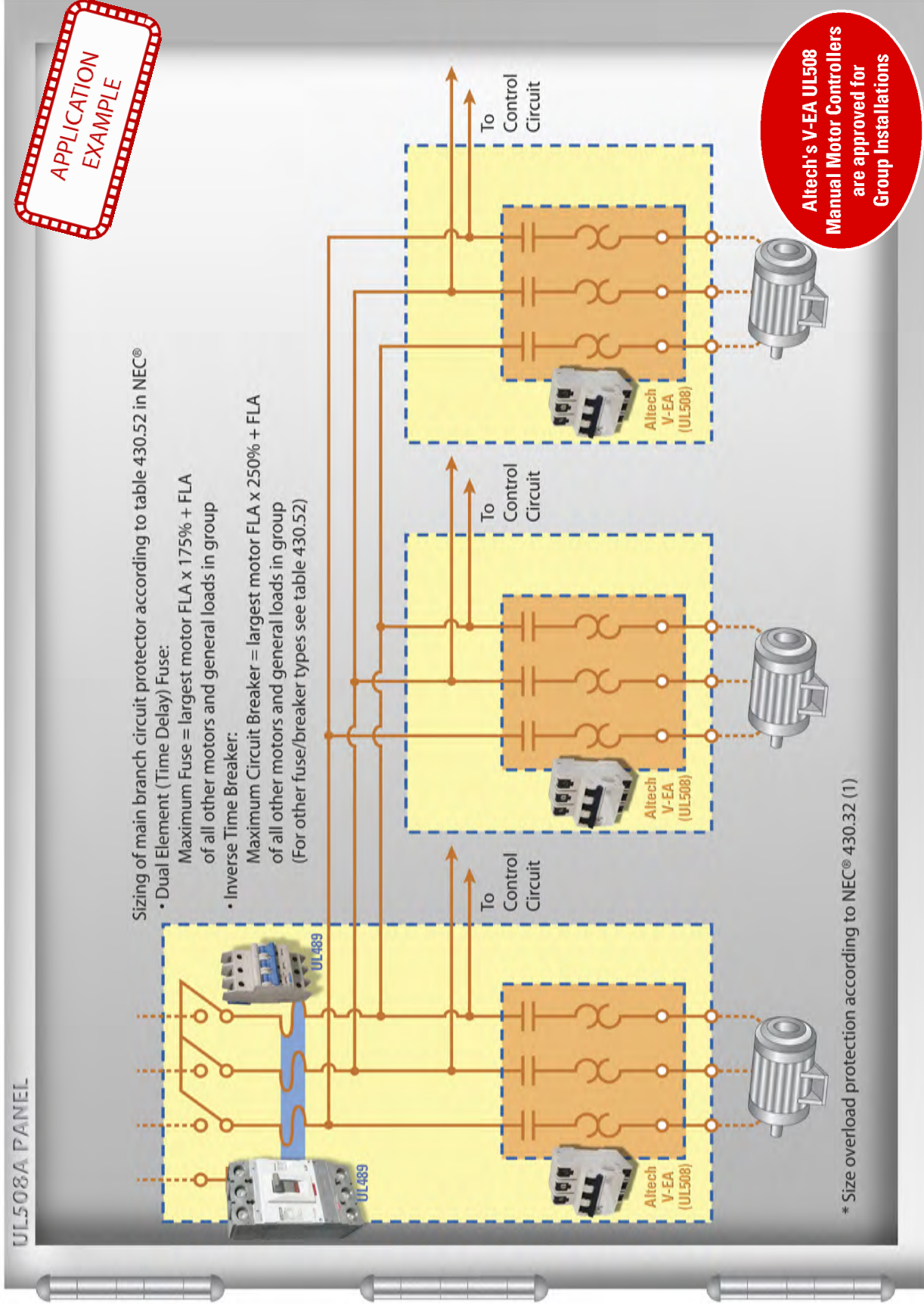
Altech UL1077

Altech UL508

Altech UL489

Typical Motor Group Installation

(see NEC® article 430.53 for reference and more information).



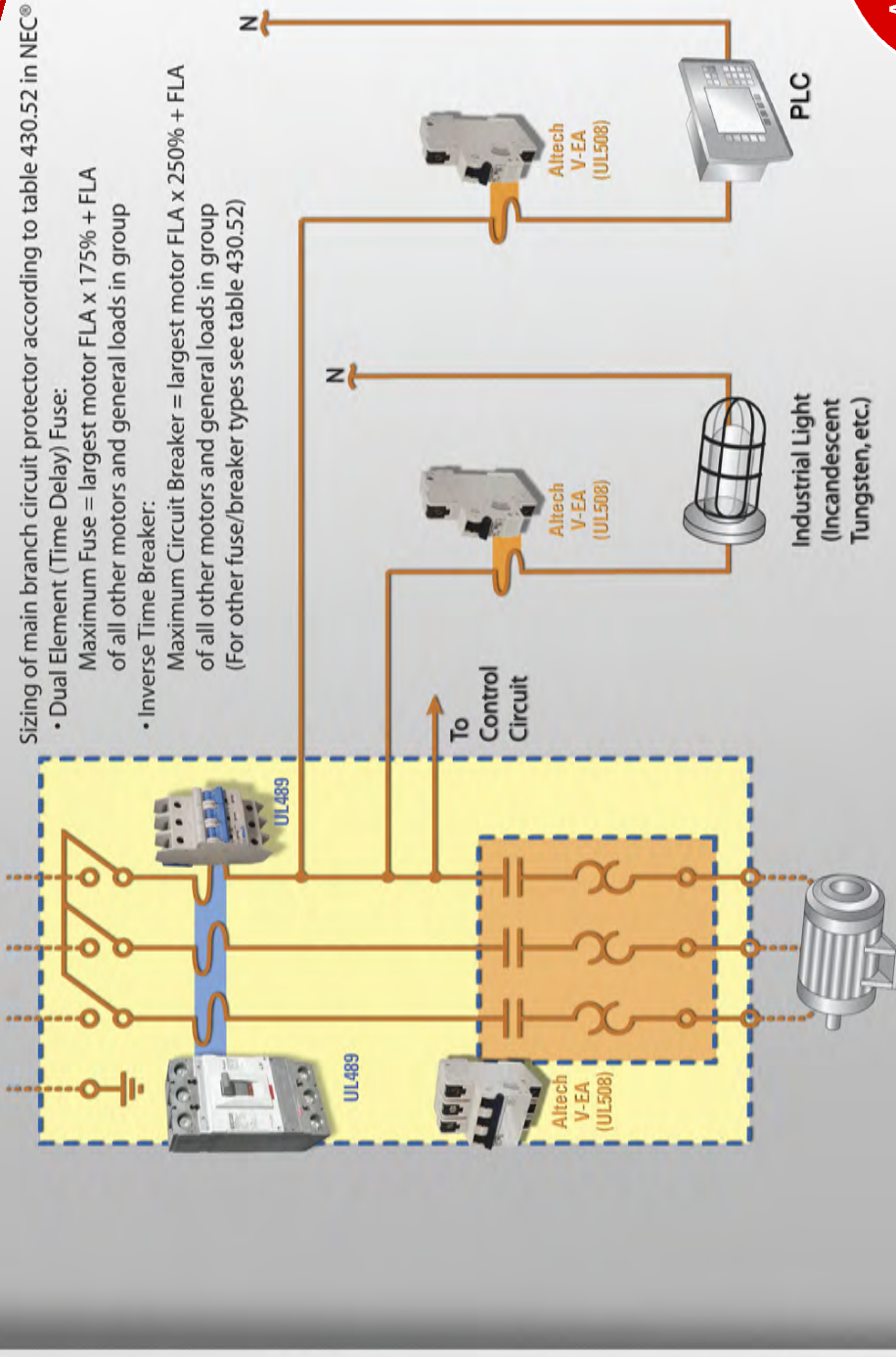
Disclaimer: This is an application example. Installation should be done by a qualified electrician under the guidance of UL/NEC® specifications.

Typical Motor Group Installation

(see NEC® article 430.53 for reference and more information).

APPLICATION EXAMPLE

UL508A PANEL



Sizing of main branch circuit protector according to table 430.52 in NEC®

- Dual Element (Time Delay) Fuse:
Maximum Fuse = largest motor FLA x 175% + FLA of all other motors and general loads in group
- Inverse Time Breaker:
Maximum Circuit Breaker = largest motor FLA x 250% + FLA of all other motors and general loads in group (For other fuse/breaker types see table 430.52)

Altech's V-EA UL508 Manual Motor Controllers are approved for Group Installations

* Size overload protection according to NEC® 430.32 (1)

Disclaimer: This is an application example. Installation should be done by a qualified electrician under the guidance of UL/NEC® specifications.

Altech UL489

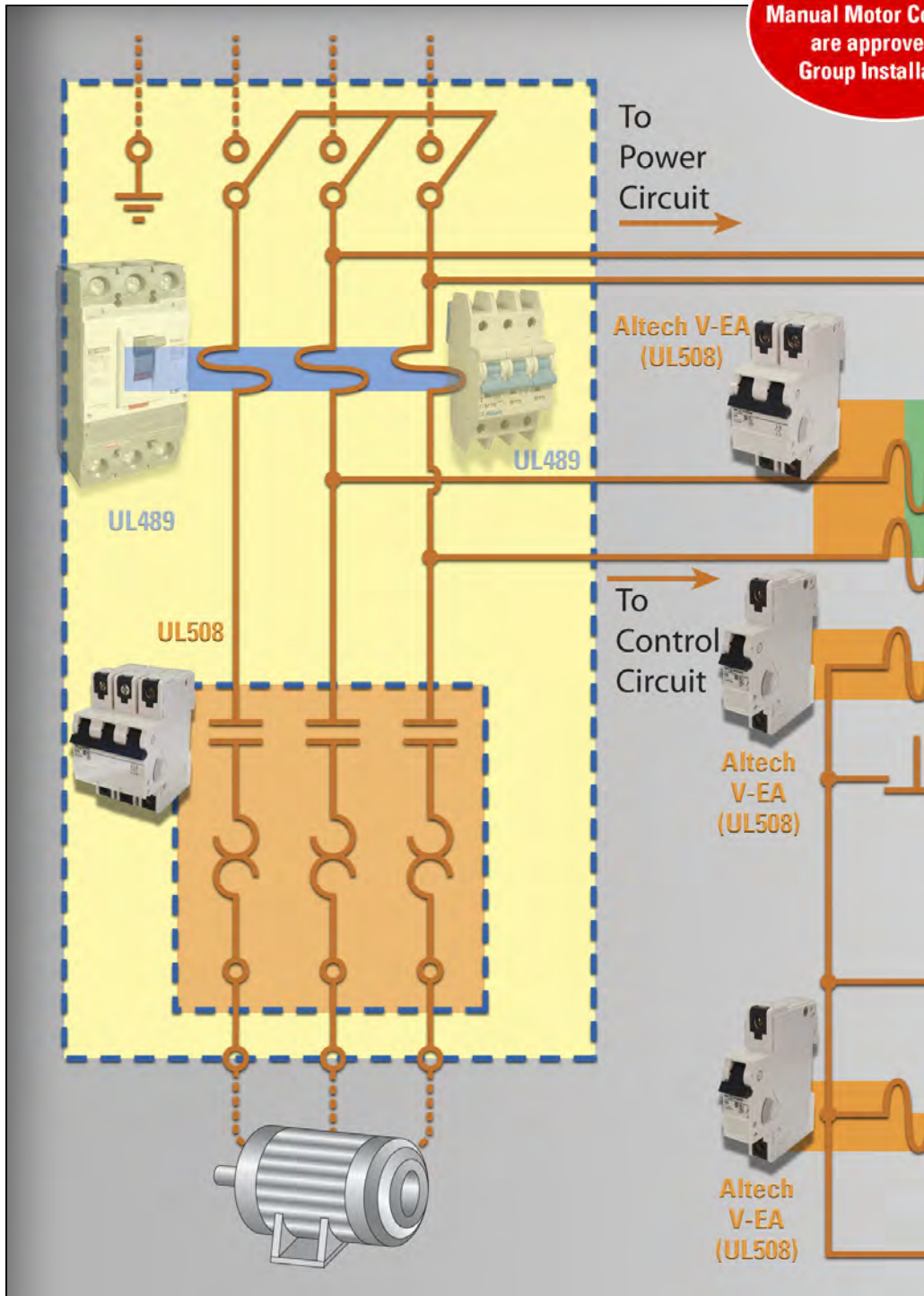
Altech UL508

Altech UL1077

Typical UL508 Application

Power Circuit of a UL508A Panel

Altech's V-EA UL508
Manual Motor Controllers
are approved for
Group Installations



Disclaimer: This an application example. Installation should be done by a qualified electrician under the guidance of UL/NEC® specifications..