

# EK002 – Polycarbonate – 130x94mm (5.12x3.70in.)

## Standard Features

- **Protection Level:** IP65 - Nema Type 4x
- **Technical:** Smooth Sidewalls  
Tinted Transparent Door
- **Enclosure Material:** Polycarbonate
- **Door Material:** Polycarbonate
- **Gasket Material:** Polyurethane
- **Temperature Range:** -35°C to 120°C (-31°F to 248°F)
- **Color:** Light Gray
- **Included Accessories:** 35mm DIN Rail  
Label Strip
- **Accessories:** See section below



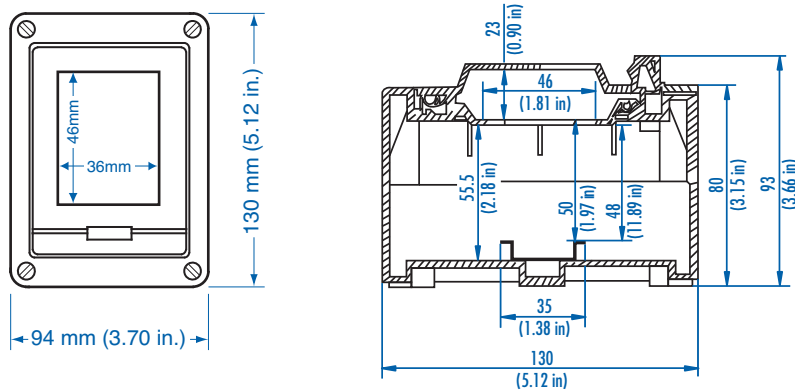
## EK

Ordering Information	Cat. No.	Type	Length	Dimensions mm (in) Width	Height	Std. Pk.
Enclosure	542-502	EK002	130 mm (5.12 in)	94 mm (3.70 in)	80 mm (3.15 in)	1

## Accessories

Ordering Information	Cat. No.	Type	Std. Pk.
Key Lock	548-102	KL	1
Terminal	X-573	PE/N Terminal - 3 pole	1
Filler Strip	799-012	108 mm piece (6 divisions)	1

Please refer to pages 116-120 for additional accessories and detailed information.



**Standard Features**

- **Protection Level:** IP65 - Nema Type 4x
- **Technical:** Smooth Sidewalls  
Tinted Transparent Door
- **Enclosure Material:** Polycarbonate
- **Door Material:** Polycarbonate
- **Gasket Material:** Polyurethane
- **Temperature Range:** -35°C to 120°C (-31°F to 248°F)
- **Color:** Light Gray
- **Included Accessories:** 35mm DIN Rail  
Label Strip
- **Accessories:** See section below



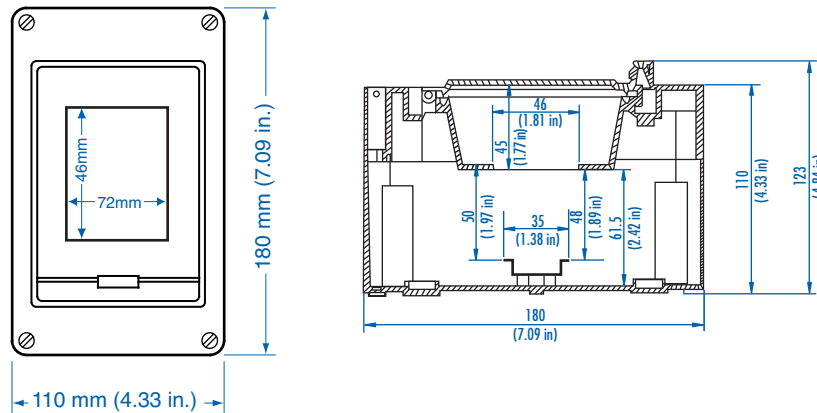
**EK**

Ordering Information	Cat. No.	Type	Length	Dimensions mm (in) Width	Height	Std. Pk.
Enclosure	542-504	EK004	180 mm (7.09 in)	110 mm (4.33 in)	110 mm (4.33 in)	1

**Accessories**

Ordering Information	Cat. No.	Type	Std. Pk.
Key Lock	548-102	KL	1
Terminal	X-575	PE/N Terminal - 5 pole	1
Filler Strip	799-012	108 mm piece (6 divisions)	1

Please refer to pages 116-120 for additional accessories and detailed information.



# EK008 – Polycarbonate – 180x182mm (7.09x7.17in.)

## Standard Features

- **Protection Level:** IP65 - Nema Type 4x
- **Technical:** Smooth Sidewalls  
Tinted Transparent Door
- **Enclosure Material:** Polycarbonate
- **Door Material:** Polycarbonate
- **Gasket Material:** Polyurethane
- **Temperature Range:** -35°C to 120°C (-31°F to 248°F)
- **Color:** Light Gray
- **Included Accessories:** 35mm DIN Rail  
Label Strip
- **Accessories:** See section below



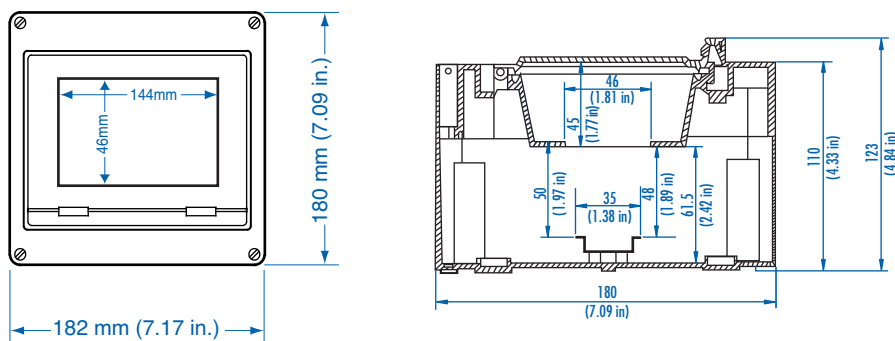
## EK

Ordering Information	Cat. No.	Type	Length	Dimensions mm (in) Width	Height	Std. Pk.
Enclosure	542-508	EK008	180 mm (7.09 in)	182 mm (7.17 in)	110 mm (4.33 in)	1

## Accessories

Ordering Information	Cat. No.	Type	Std. Pk.
Key Lock	548-102	KL	1
Terminal	X-578	PE/N Terminal - 7 pole	1
Filler Strip	799-012	108 mm piece (6 divisions)	1

Please refer to pages 116-120 for additional accessories and detailed information.





**Standard Features**

- **Protection Level:** IP65 - Nema Type 4x
- **Technical:** Smooth Sidewalls  
Tinted Transparent Door
- **Enclosure Material:** Polycarbonate
- **Door Material:** Polycarbonate
- **Gasket Material:** Polyurethane
- **Temperature Range:** -35°C to 120°C (-31°F to 248°F)
- **Color:** Light Gray
- **Included Accessories:** 35mm DIN Rail  
Label Strip
- **Accessories:** See section below



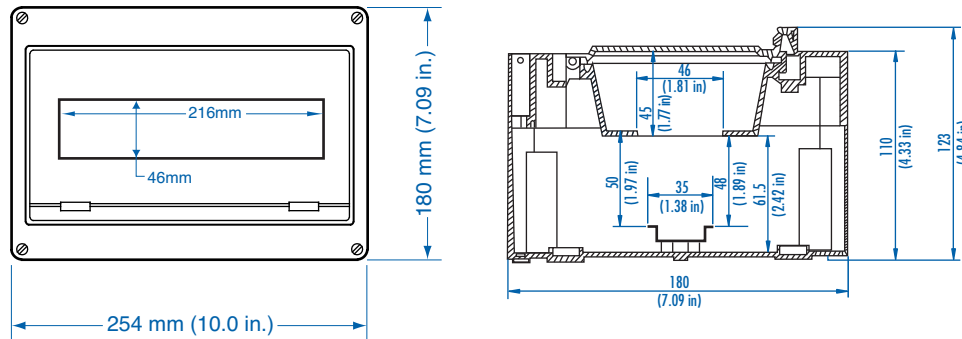
**EK**

Ordering Information	Cat. No.	Type	Length	Dimensions mm (in) Width	Height	Std. Pk.
Enclosure	542-512	EK012	180 mm (7.09 in)	254 mm (10.00 in)	110 mm (4.33 in)	1

**Accessories**

Ordering Information	Cat. No.	Type	Std. Pk.
Key Lock	548-102	KL	1
Terminal	X-583	PE/N Terminal - 12 pole	1
Filler Strip	799-012	108 mm piece (6 divisions)	1

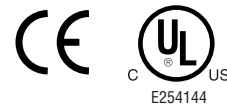
Please refer to pages 116-120 for additional accessories and detailed information.



# EK024 – Polycarbonate – 361x254mm (14.21x10.00in.)

## Standard Features

- **Protection Level:** IP65 - Nema Type 4x
- **Technical:** Smooth Sidewalls  
Tinted Transparent Door
- **Enclosure Material:** Polycarbonate
- **Door Material:** Polycarbonate
- **Gasket Material:** Polyurethane
- **Temperature Range:** -35°C to 120°C (-31°F to 248°F)
- **Color:** Light Gray
- **Included Accessories:** 2 ea. 35mm DIN Rail  
2 ea. Label Strips
- **Accessories:** See section below



## EK

Ordering Information	Cat. No.	Type	Length	Dimensions mm (in) Width	Height	Std. Pk.
Enclosure	542-524	EK024	361 mm (14.21 in)	254 mm (10.00 in)	110 mm (4.33 in)	1

## Accessories

Ordering Information	Cat. No.	Type	Std. Pk.
Key Lock	548-102	KL	1
Terminal	X-721-02	PE/N Terminal - 17 pole	1
Filler Strip	799-012	108 mm piece (6 divisions)	1

Please refer to pages 116-120 for additional accessories and detailed information.

