

# SPECIFICATIONS MINI-LINE STYLE I FEMALE LIQUIDTIGHT PLUG (2-6 POLE)

- Female LiquidTight Plugs
- Standard Color Code
- 16 AWG Pigtail Leads
- Fits 1/2" Conduit
- 600V 105°C
- Straight Version
- Zinc Diecast Hardware
- Meets Current SAE #H1738-2 Specifications



## TECHNICAL DATA

### Agency Approvals

UL Recognition:

File #E169897

CSA Certification:

File #LR13963

### Electrical Data

Contact Resistance:

≤ 5mΩ

Current Rating:

See chart with  
part number detail

Voltage Rating:

600 VAC / 600 VDC

Dielectric Withstand Voltage:

2200 VAC

### Environmental Data

Protection:

NEMA 1, 3, 4, 6P and 13; IEC IP 68

Temperature Range:

-30°C to +105°C

### Material Data

Insert:

Yellow, 90A durometer, flame resistant PVC

Pigtail leads:

Color Coded type MTW or AWM style 1015/1230

Contacts:

Machined Brass per ASTM B-16

Fitting:

Zinc plated steel

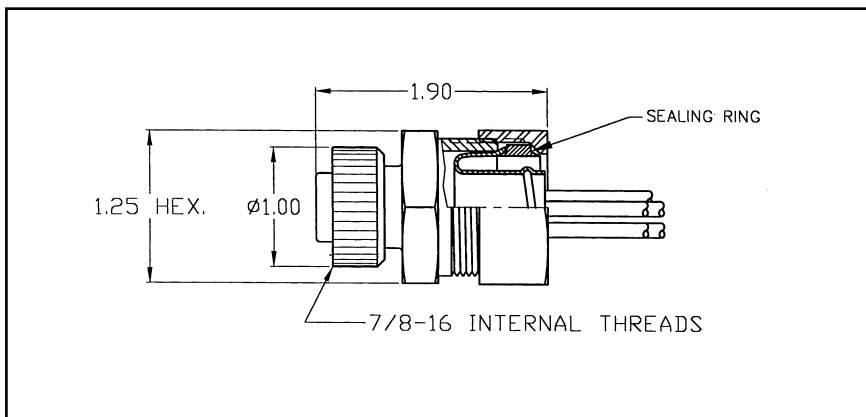
Coupling Nut:

Diecast Zamak 5 Zinc plated with clear sealer

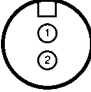
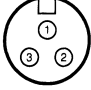
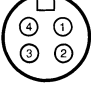
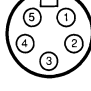
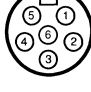
Potting Compound:

Black rigid epoxy

## DIMENSIONS



# MINI-LINE FEMALE LIQUIDTIGHT PLUG WITH MACHINED ALUMINUM COUPLING NUT

POLES	FACE VIEW FEMALE	COLOR CODE	RATING	AWG	LEAD LENGTH	STRAIGHT
2		1. White 2. Black	600V, 13A	16	6'	5000108-165
3		1. Green 2. Black 3. White	600V, 13A	16	6'	5000109-165
4		1. Black 2. White 3. Red 4. Green	600V, 10A	16	6'	5000110-165
5		1. White 2. Red 3. Green 4. Orange 5. Black	600V, 8A	16	6'	5000111-165
6		1. White 2. Red 3. Green 4. Orange 5. Black 6. Blue	600V, 6A	16	6'	5000120-165

Note: Special lead lengths available upon request — consult factory.