

Illuminated Selector Switches 2-Position (Assembled)



2-Position Illuminated Selector Switches

Contact	Mounting	Style		Type	Part Number		
		Operator Position			Maintained	Spring Return from Right	
		L	R		L	R	
<i>Operator Only</i>					HWⓄF-2②	HWⓄF-21②	
1NO-1NC	1 2	0 X	X 0	Full Voltage	HWⓄF-2F11Q④-②-③	HWⓄF-21F11Q④-②-③	
				Transformer	120V	HWⓄF-2F11H2④-②	HWⓄF-21F11H2④-②
					240V 480V	HWⓄF-2F11M4④-② HWⓄF-2F11T8④-②	HWⓄF-21F11M4④-② HWⓄF-21F11T8④-②
2NO	1 2	0 0	X X	Full Voltage	HWⓄF-2F20Q④-②-③	HWⓄF-21F20Q④-②-③	
				Transformer	120V	HWⓄF-2F20H2④-②	HWⓄF-21F20H2④-②
					240V 480V	HWⓄF-2F20M4④-② HWⓄF-2F20T8④-②	HWⓄF-21F20M4④-② HWⓄF-21F20T8④-②
2NO-2NC	1 2 3 4	0 X 0 X	X 0 X 0	Full Voltage	HWⓄF-2F22Q④-②-③	HWⓄF-21F22Q④-②-③	
				Transformer	120V	HWⓄF-2F22H2④-②	HWⓄF-21F22H2④-②
					240V 480V	HWⓄF-2F22M4④-② HWⓄF-2F22T8④-②	HWⓄF-21F22M4④-② HWⓄF-21F22T8④-②

- 1. In place of ② specify Lens/LED color code.
- 2. In place of ③ specify Full Voltage code.
- 3. In place of ④ specify Lamp code.
- 4. In place of ⑤ enter 1 for plastic bezel or 4 for metal bezel.
- 5. For nameplates, see page 546.
- 6. For contact assembly part numbers, see page 550.
- 7. Light is independent of switch position.
- 8. All assembled part numbers in catalog include standard fingersafe (HW-F...) contacts.
- 9. Assembled units with spring-up terminals (HW-G...) can be ordered by removing an "F" from the part number (Ex. HW1B-M1F11-R becomes HW1B-M111-R).
- 10. Units with exposed screw terminals (HW-C...) must be ordered as sub-components.
- 11. **Yellow selector switch comes with white LED.**
- 12. Additional contact configurations available (up to 6 total contacts).
- 13. For Truth Tables see page 558.

② Lens/LED Color Code

Color	Code
Amber	A
Green	G
Red	R
Blue	S
White	W
Yellow	Y

③ Full Voltage Code

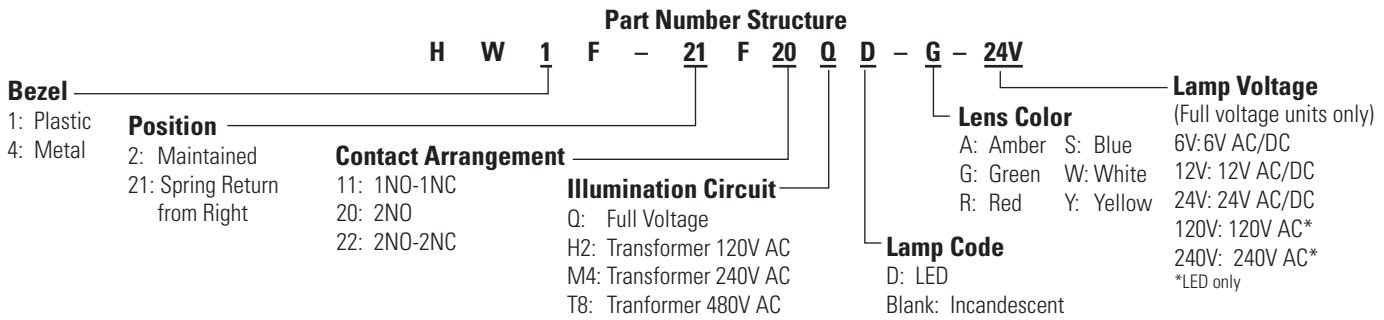
Full Voltage Models	
Voltage	Code
6VAC/DC	6V
12VAC/DC	12V
24VAC/DC	24V
120V AC (LED only)	120V
240V AC (LED only)	240V

④ Lamp Code

Lamp	Code
Incandescent	Blank
LED	D

⑤ Bezel Code

Type	Code
Plastic	1
Metal	4



**Illuminated Selector Switches 2-Position (Replacement Parts)**



- 1. \*Transformer not needed with full voltage models.
- 2. †Adaptor includes safety lever lock.

**Lamp Circuit Components**

Style	Description	Terminals	Part Number
Lead Holder 	For use with HW-CBL on all illuminated pushbutton units. One required for each deck (pair) of contacts.		HW-LH3
Dummy Block with Full Voltage Adaptor 	For use with odd number of contacts.	Fingersafe	HW-DA1FB
		Exposed	HW-DA1B
		Spring Up	HW-GA1
Full Voltage Adaptor 	For use with even number of contacts.	Fingersafe	TW-DA1FB
		Exposed	TW-DA1B
Transformer Unit (6V secondary voltage) 	120VAC 240VAC 480VAC	Fingersafe	TW-F126B TW-F246B TW-F486B
	120V 240V 480V	Spring Up	HW-T126 HW-T246 HW-L486
	120V 240V 480V	Exposed	TW-T126B TW-T246B TW-T486B
DC-DC Converter	110VDC		HW-L16D

- 1. HW-GA1 "Dummy Block with full voltage adaptor" does not require the use of HW-LH3.
- 2. DC-DC convertor features spring-up terminals.
- 3. DC-DC convertor applicable voltage range 90-140V DC.

**Operators**

Appearance	Description	Plastic Bezel	Metal Bezel
	Maintained	HW1F-2	HW4F-2
	Spring return from right	HW1F-21	HW4F-21

Illuminated knobs must be ordered separately.

**Contact Blocks**

Style	Contacts	1NO	1NC
	Standard Fingersafe (IP20)	HW-F10 HW-F10R (early make)	HW-F01 HW-F01R (late break)
	Spring-Up Terminal	HW-G10 HW-G10R (early make)	HW-G01 HW-G01R (late break)
	Exposed Screw Terminal	HW-C10 HW-C10R (early make)	HW-C01 HW-C01R (late break)

**Contact Block Mounting Adaptor**

Style	Part Number
	HW-CBL

- 1. Used to mount contact blocks to operator (first pair only).
- 2. IDEC strongly recommends using the safety lever lock (included) to prevent heavy vibration or maintenance personnel from inadvertently unlocking contacts.

**Illuminated Knob**

Appearance	Part Number
	HW9Z-FDY-Ⓞ

In place of Ⓞ, specify the Color Code.

**Ⓞ Lens/LED Color Code**

Color	Code	Color	Code
Amber	A	Blue	S
Green	G	White	W
Red	R	Yellow	Y

**Anti-Rotation Ring**

Appearance	Part Number
	HW9Z-RL

Use with notched panel cutout to prevent unit rotation.

**Lamps**

Type	Voltage	Part Number
LED 	6V AC/DC	LSTD-6Ⓞ
	12V AC/DC	LSTD-1Ⓞ
	24V AC/DC	LSTD-2Ⓞ
	120V AC 240V AC	LSTD-H2Ⓞ LSTD-M4Ⓞ
Incandescent 	6V AC/DC	IS-6
	12V AC/DC	IS-12
	24V AC/DC	IS-24

- 1. In place of Ⓞ, specify the LED Color Code.
- 2. The LED contains a current-limiting resistor and reverse polarity protection diodes.
- 3. Use white LED for yellow lens. Yellow LED not available.

Switches & Pilot Lights

Display Lights

Relays & Sockets

Timers

Terminal Blocks

Circuit Breakers

Illuminated Selector Switches 3-Position (Assembled)



3-Position Illuminated Selector Switches

Contact	Mounting	Style			Part Number				
		Operator Position			Type	Maintained	Spring Return from Right	Spring Return from Left	Spring Return Two-Way
		L	C	R		L C R	L C R	L C R	L C R
Operator Only						HW⊙F-3②	HW⊙F-31②	HW⊙F-32②	HW⊙F-33②
1NO-1NC	1	0	X	X	Full Voltage	HW⊙F-3F11Q④-②-③	HW⊙F-31F11Q④-②-③	HW⊙F-32F11Q④-②-③	HW⊙F-33F11Q④-②-③
	2	0	0	X	Transformer	120V HW⊙F-3F11H2④-②	HW⊙F-31F11H2④-②	HW⊙F-32F11H2④-②	HW⊙F-33F11H2④-②
				240V HW⊙F-3F11M4④-②		HW⊙F-31F11M4④-②	HW⊙F-32F11M4④-②	HW⊙F-33F11M4④-②	
				480V HW⊙F-3F11T8④-②	HW⊙F-31F11T8④-②	HW⊙F-32F11T8④-②	HW⊙F-33F11T8④-②		
2NO	1	0	X	0	Full Voltage	HW⊙F-3F20Q④-②-③	HW⊙F-31F20Q④-②-③	HW⊙F-32F20Q④-②-③	HW⊙F-33F20Q④-②-③
	2	0	0	X	Transformer	120V HW⊙F-3F20H2④-②	HW⊙F-31F20H2④-②	HW⊙F-32F20H2④-②	HW⊙F-33F20H2④-②
				240V HW⊙F-3F20M4④-②		HW⊙F-31F20M4④-②	HW⊙F-32F20M4④-②	HW⊙F-33F20M4④-②	
				480V HW⊙F-3F20T8④-②	HW⊙F-31F20T8④-②	HW⊙F-32F20T8④-②	HW⊙F-33F20T8④-②		
2NC	1	0	X	X	Full Voltage	HW⊙F-3F02Q④-②-③	HW⊙F-31F02Q④-②-③	HW⊙F-32F02Q④-②-③	HW⊙F-33F02Q④-②-③
	2	X	X	0	Transformer	120V HW⊙F-3F02H2④-②	HW⊙F-31F02H2④-②	HW⊙F-32F02H2④-②	HW⊙F-33F02H2④-②
				240V HW⊙F-3F02M4④-②		HW⊙F-31F02M4④-②	HW⊙F-32F02M4④-②	HW⊙F-33F02M4④-②	
				480V HW⊙F-3F02T8④-②	HW⊙F-31F02T8④-②	HW⊙F-32F02T8④-②	HW⊙F-33F02T8④-②		
2NO-2NC	1	X	0	0	Full Voltage	HW⊙F-3F22Q④-②-③	HW⊙F-31F22Q④-②-③	HW⊙F-32F22Q④-②-③	HW⊙F-33F22Q④-②-③
	2	0	0	X	Transformer	120V HW⊙F-3F22H2④-②	HW⊙F-31F22H2④-②	HW⊙F-32F22H2④-②	HW⊙F-33F22H2④-②
	3	0	X	X		240V HW⊙F-3F22M4④-②	HW⊙F-31F22M4④-②	HW⊙F-32F22M4④-②	HW⊙F-33F22M4④-②
	4	X	X	0	480V HW⊙F-3F22T8④-②	HW⊙F-31F22T8④-②	HW⊙F-32F22T8④-②	HW⊙F-33F22T8④-②	
4NO	1	X	0	0	Full Voltage	HW⊙F-3F40Q④-②-③	HW⊙F-31F40Q④-②-③	HW⊙F-32F40Q④-②-③	HW⊙F-33F40Q④-②-③
	2	0	0	X	Transformer	120V HW⊙F-3F40H2④-②	HW⊙F-31F40H2④-②	HW⊙F-32F40H2④-②	HW⊙F-33F40H2④-②
	3	X	0	0		240V HW⊙F-3F40M4④-②	HW⊙F-31F40M4④-②	HW⊙F-32F40M4④-②	HW⊙F-33F40M4④-②
	4	0	0	X	480V HW⊙F-3F40T8④-②	HW⊙F-31F40T8④-②	HW⊙F-32F40T8④-②	HW⊙F-33F40T8④-②	
4NC	1	0	X	X	Full Voltage	HW⊙F-3F04Q④-②-③	HW⊙F-31F04Q④-②-③	HW⊙F-32F04Q④-②-③	HW⊙F-33F04Q④-②-③
	2	X	X	0	Transformer	120V HW⊙F-3F04H2④-②	HW⊙F-31F04H2④-②	HW⊙F-32F04H2④-②	HW⊙F-33F04H2④-②
	3	0	X	X		240V HW⊙F-3F04M4④-②	HW⊙F-31F04M4④-②	HW⊙F-32F04M4④-②	HW⊙F-33F04M4④-②
	4	X	X	0	480V HW⊙F-3F04T8④-②	HW⊙F-31F04T8④-②	HW⊙F-32F04T8④-②	HW⊙F-33F04T8④-②	



- In place of ② specify Lens/LED color code.
- In place of ③ specify Full Voltage code.
- In place of ④ specify Lamp code.
- In place of ⑤ enter 1 for plastic bezel or 4 for metal bezel.
- For nameplates, see page 546.
- For contact assembly part numbers, see page 550.
- Light is independent of switch position.
- All assembled part numbers in catalog include standard fingersafe (HW-F...) contacts.
- Assembled units with spring-up terminals (HW-G...) can be ordered by removing an "F" from the part number (Ex. HW1B-M1F11-R becomes HW1B-M111-R).
- Units with exposed screw terminals (HW-C...) must be ordered as sub-components.
- 11. Yellow selector switch comes with white LED.**
- Additional contact configurations available (up to 6 total contacts).
- For Truth Tables see page 558.

② Lens/LED Color

Color	Code
Amber	A
Green	G
Red	R
Blue	S
White	W
Yellow	Y

③ Full Voltage Code

Full Voltage Models	
Voltage	Code
6VAC/DC	6V
12VAC/DC	12V
24VAC/DC	24V
120V AC (LED only)	120V
240V AC (LED only)	240V

④ Lamp Code

Lamp	Code
Incandescent	Blank
LED	D

⑤ Bezel Code

Type	Code
Plastic	1
Metal	4

Switches & Pilot Lights | Display Lights | Relays & Sockets | Timers | Terminal Blocks | Circuit Breakers

**Part Number Structure**

H W 1 F - 31 F 20 Q D - G - 24V

**Bezel**  
 1: Plastic  
 4: Metal

**Position**  
 3: Maintained  
 31: Spring Return from Right  
 32: Spring Return from Left  
 33: Spring Return 2-Way

**Contact Arrangement**  
 11: 1NO-1NC  
 20: 2NO  
 02: 2NC  
 22: 2NO-2NC  
 40: 4NO  
 04: 4NC

**Illumination Circuit**  
 Q: Full Voltage  
 H2: Transformer 120V AC  
 M4: Transformer 240V AC  
 T8: Transformer 480V AC

**Lens Color**  
 A: Amber  
 G: Green  
 R: Red  
 S: Blue  
 W: White  
 Y: Yellow

**Lamp Code**  
 D: LED  
 Blank: Incandescent

**Full Voltage Code**  
 6V: 6V AC/DC  
 12V: 12V AC/DC  
 24V: 24V AC/DC  
 120V: 120V AC\*  
 240V: 240V AC\*  
 \*LED only

**Illuminated Selector Switches 3-Position (Replacement Parts)**



- 1. \*Transformer not needed with full voltage models.
- 2. †Adaptor includes safety lever lock.

**Lamp Circuit Components**

Style	Description	Terminals	Part Number	
	For use with HW-CBL on all illuminated pushbutton units. One required for each deck (pair) of contacts.		HW-LH3	
	For use with odd number of contacts.	Fingersafe	HW-DA1FB	
		Exposed	HW-DA1B	
		Spring Up	HW-GA1	
	For use with even number of contacts.	Fingersafe	TW-DA1FB	
		Exposed	TW-DA1B	
	120VAC 240VAC 480VAC	Fingersafe	TW-F126B TW-F246B TW-F486B	
		Spring Up	120V 240V 480V	HW-T126 HW-T246 HW-L486
			Exposed	120V 240V 480V
DC-DC Converter	110VDC			HW-L16D

- 1. HW-GA1 "Dummy Block with full voltage adaptor" does not require the use of HW-LH3.
- 2. DC-DC convertor features spring-up terminals.
- 3. DC-DC convertor applicable voltage range 90-140V DC.

**Operators**

Appearance	Description	Plastic Bezel	Metal Bezel
	Maintained	HW1F-3	HW4F-3
	Spring return from right	HW1F-31	HW4F-31
	Spring return from left	HW1F-32	HW4F-32
	2-Way spring return	HW1F-33	HW4F-33

Illuminated knobs must be ordered separately.

**Contact Blocks**

Style	Contacts	1NO	1NC
	Standard Fingersafe (IP20)	HW-F10 HW-F10R (early make)	HW-F01 HW-F01R (late break)
	Spring-Up Terminal	HW-G10 HW-G10R (early make)	HW-G01 HW-G01R (late break)
	Exposed Screw Terminal	HW-C10 HW-C10R (early make)	HW-C01 HW-C01R (late break)

**Contact Block Mounting Adaptor**

Style	Part Number
	HW-CBL

- 1. Used to mount contact blocks to operator (first pair only).
- 2. IDEC strongly recommends using the safety lever lock (included) to prevent heavy vibration or maintenance personnel from inadvertently unlocking contacts.

**Anti-Rotation Ring**

Appearance	Part Number
	HW9Z-RL

- Use with notched panel cutout to prevent unit rotation.

**Illuminated Knob**

Appearance	Part Number
	HW9Z-FDY-⊙

In place of ⊙, specify the Color Code.

**⊙ Lens/LED Color Code**

Color	Code	Color	Code
Amber	A	Blue	S
Green	G	White	W
Red	R	Yellow	Y

**Lamps**

Type	Voltage	Part Number
	6V AC/DC	LSTD-6⊙
	12V AC/DC	LSTD-1⊙
	24V AC/DC	LSTD-2⊙
	120V AC	LSTD-H2⊙
	240V AC	LSTD-M4⊙
	6V AC/DC	IS-6
	12V AC/DC	IS-12
	24V AC/DC	IS-24

- 1. In place of ⊙, specify the LED Color Code.
- 2. The LED contains a current-limiting resistor and reverse polarity protection diodes.
- 3. Use white LED for yellow lens. Yellow LED not available.

Switches & Pilot Lights

Display Lights

Relays & Sockets

Timers

Terminal Blocks

Circuit Breakers