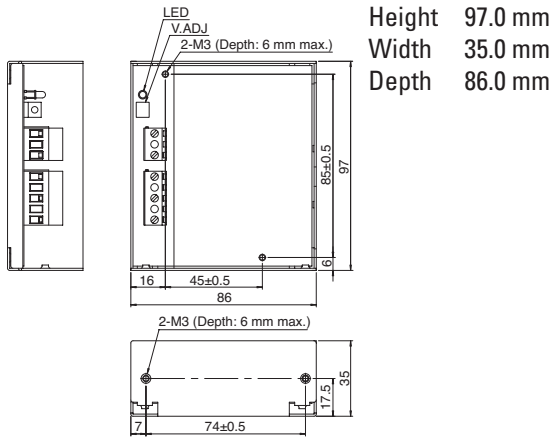
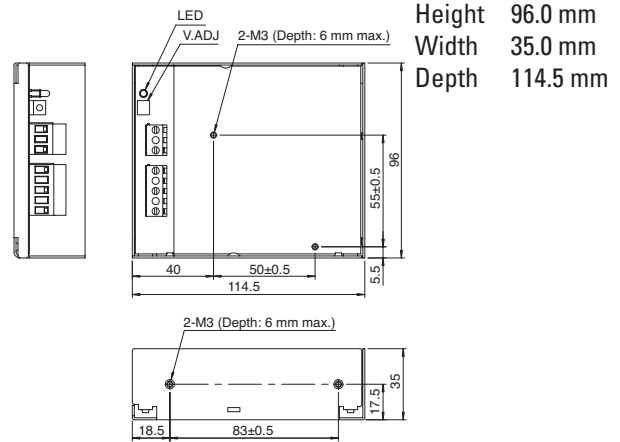


Dimensions (tolerance: ±1 mm)

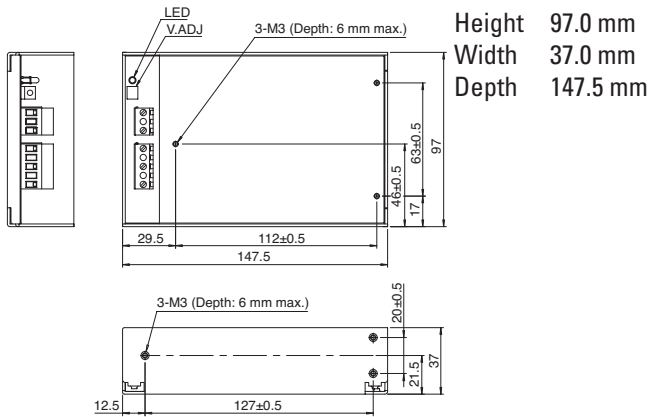
PS3L-A/B (10/15W)



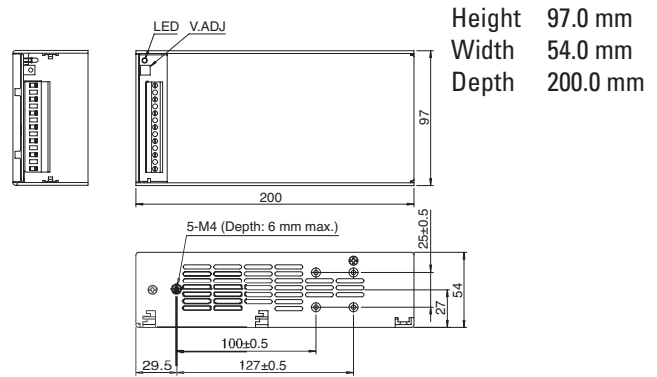
PS3L-C (30W)



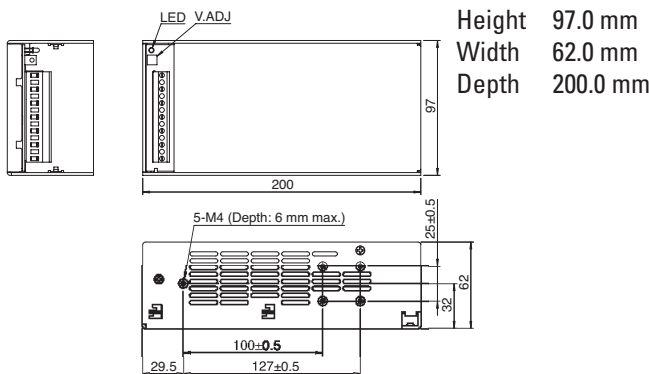
PS3L-D (50W)



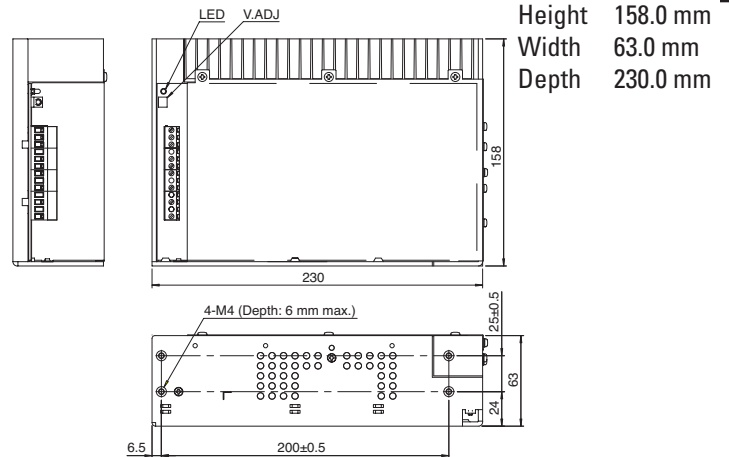
PS3L-E (100W)



PS3L-F (150W)



PS3L-G (300W)



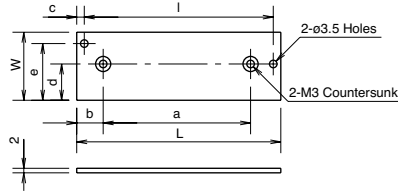
Make sure that the mounting screws do not penetrate into the power supply unit for 6 mm or more.

All dimensions in mm.

Mounting Bracket Dimensions (PS9Z-3E1/PS9Z-3E2/PS9Z-3E3/PS9Z-3L)

Mounting Plate

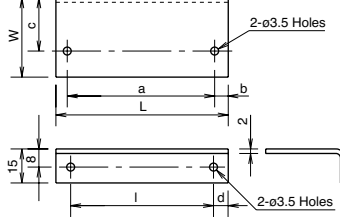
PS9Z-3E1B/3E1C
(For 10W/15W/30W Types)



Part Number	Dimensions (mm)							
	W	L	l	a	b	c	d	e
PS9Z-3E1B	35	101	94	74	14.5	3.5	17.5	30
PS9Z-3E1C	33	138.5	128.5	83	32	5	17.5	26

L-shaped Bracket (1)

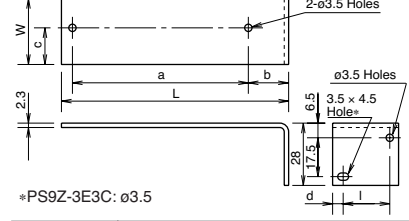
PS9Z-3E2B/3E2C
(For 10W/15W/30W Types)



Part Number	Dimensions (mm)						
	W	L	l	a	b	c	d
PS9Z-3E2B	36	95.5	80.5	74	9.5	18.5	7.5
PS9Z-3E2C	38	118.5	104	83	15	20.5	7.5

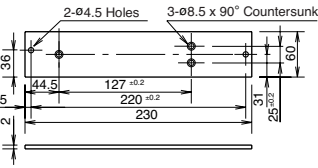
L-shaped Bracket (2)

PS9Z-3E3B/3E3C
(For 10W/15W/30W Types)

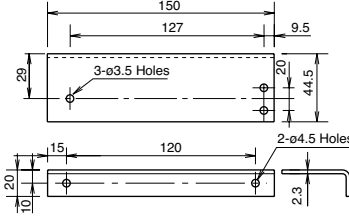


Part Number	Dimensions (mm)						
	W	L	l	a	b	c	d
PS9Z-3E3B	31	103	22.5	74	18	13.5	4.5
PS9Z-3E3C	33	126	25	83	21	15.5	4

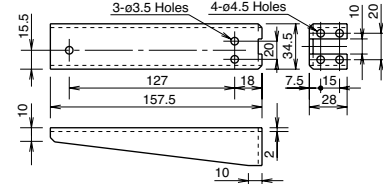
PS9Z-3E1D
(For 50W Type)



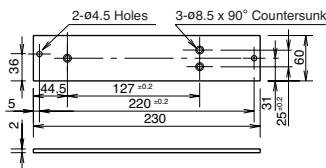
PS9Z-3E2D
(For 50W Type)



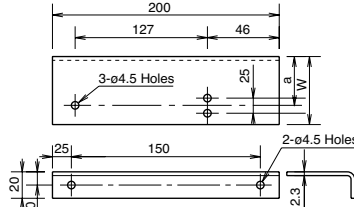
PS9Z-3E3D
(For 50W Type)



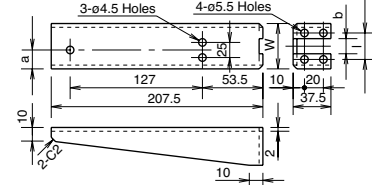
PS9Z-3L1F
(For 100W/150W Types)



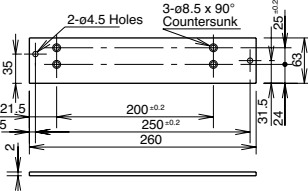
PS9Z-3E2E/3E2F
(For 100W/150W Types)



PS9Z-3E3E/3E3F
(For 100W/150W Types)



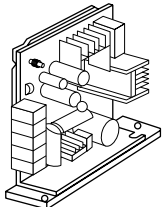
PS9Z-3L1G
(For 300W Type)



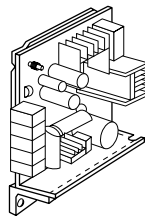
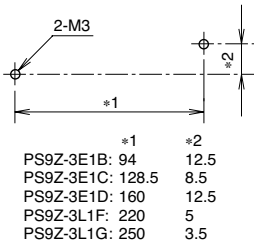
Part Number	Dimensions (mm)	
	W	a
PS9Z-3E2E	59	34.5
PS9Z-3E2F	70	40

Part Number	Dimensions (mm)			
	W	l	a	b
PS9Z-3E3E	54	32.5	27	12.5
PS9Z-3E3F	65	40	32.5	20

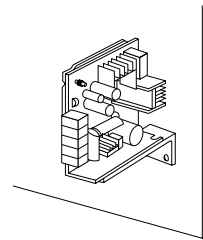
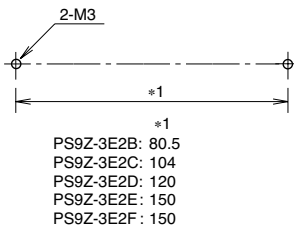
Power Supplies



Mounting Hole Layout



Mounting Hole Layout



Mounting Hole Layout

