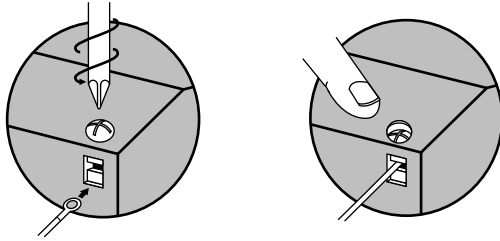


## Time-Saving Spring-up Terminals


The innovative terminals on the PS5R series use a special, spring-loaded screw. This makes installation as easy as pushing down and turning with a screwdriver. Installation time is cut in half since the screws do not need to be backed out to install wiring. The screws are held captive once installed and are 100% finger-safe. Screw terminals accept bare wire or ring or fork connectors.

1. Insert the wire connector into the slot on the side of the power supply.
2. Using a Phillips screwdriver, push down and turn the screw.

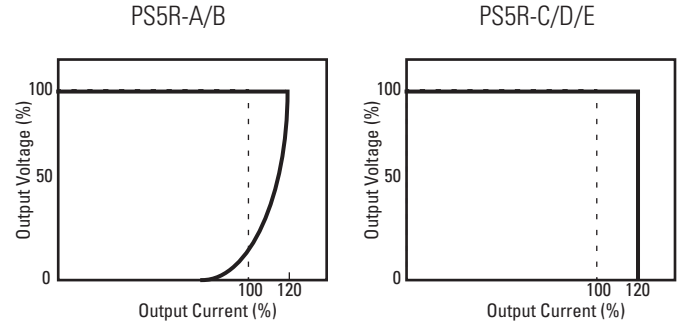


The wire is now connected, and the screw terminal is finger-safe!

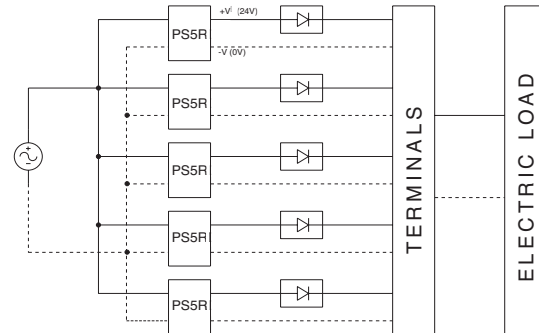
## Front Panel (terminals)

Terminal	Name	Description
V. ADJ	Voltage adjustment	Adjusts within $\pm 10\%$ ; turn clockwise to increase output voltage
DC ON	Operation indicator	Green LED is lit when output voltage is on
+V, -V	DC output terminals	+V: Positive output terminal -V: Negative output terminal
	Frame ground	Ground this terminal to reduce high-frequency currents caused by switching
L, N	Input terminals	Accept a wide range of voltages and frequencies (no polarity at DC input)
NC	No connection	Do <i>not</i> insert wires here, as this may damage the power supply

## Overcurrent Protection Characteristics



## Parallel Operation



Parallel operation only recommended for PS5R-Q24, PS5R-F24 and PS5R-G24.