

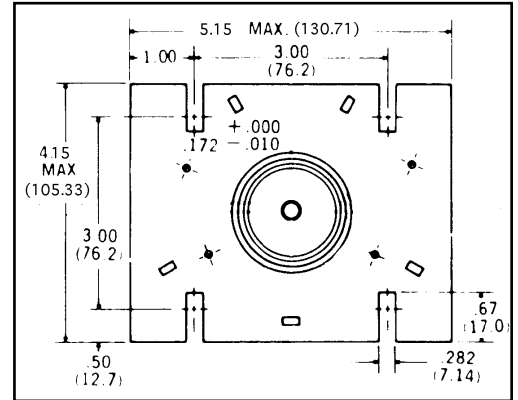
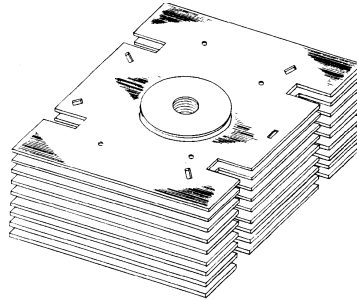
UNIVERSAL STUD MOUNTED HEATSINK

Update Your Existing Drive

Overview

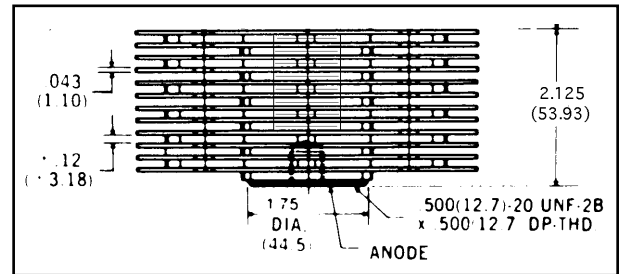
- Use to update your existing equipment. These heatsinks are commonly found in drives manufactured by:

- Cutler-Hammer
- Reliance*
- Westinghouse
- Ramsey
- General Electric
- *And many others!*



Features & Benefits

- **Direct replacement for many manufacturers - save money**
- **Industry standard 3/4" x 16 UNF stud devices - reduce downtime and lost production by converting existing drives**
- **For new applications or test fixtures - for all your industrial electronic requirements**



Solid Performance Since 1975

Galco strives to offer you the best possible solutions to all your electronic component and control requirements -- with same day shipping! It is our business to provide you with the products and services that assist you in maintaining a constant flow in your production and manufacturing schedules.

We are proud to be a leading national stocking distributor for over 155 brands -- with more being added each day. Get the products you need, when you need them from our strong and growing inventory.

Plus, you'll appreciate how easy it is to source products because we offer you exceptional cross-referencing information and related item references from a highly-trained, experienced sales staff.

Standard Items

- Accepts industry standard TO-209AE, TO-118 and all 3/4" x16 UNF stud devices
- 1-3/4" diameter copper slug mounting surface
- Tin plating standard
- RC holes on the top fin are standard
- $R\theta_{sa}$.06°C/Watt, 1000 LFM
- Copper fins

How to Order

PART #	DESCRIPTION	PRICE
109S3416-NBR	Heatsink	\$162.00

Call your friendly Galco sales representative today!

In stock for immediate delivery

Prices subject to change without notice

**Not an authorized distributor*

GALCO
INDUSTRIAL ELECTRONICS



800/575-5562

26010 Pinehurst Drive • Madison Heights, Michigan 48071
Emergency Number: (248) 542-9090 • Fax: (248) 542-8031

www.galco.com

MA120197 (orig.-12/1/97)