

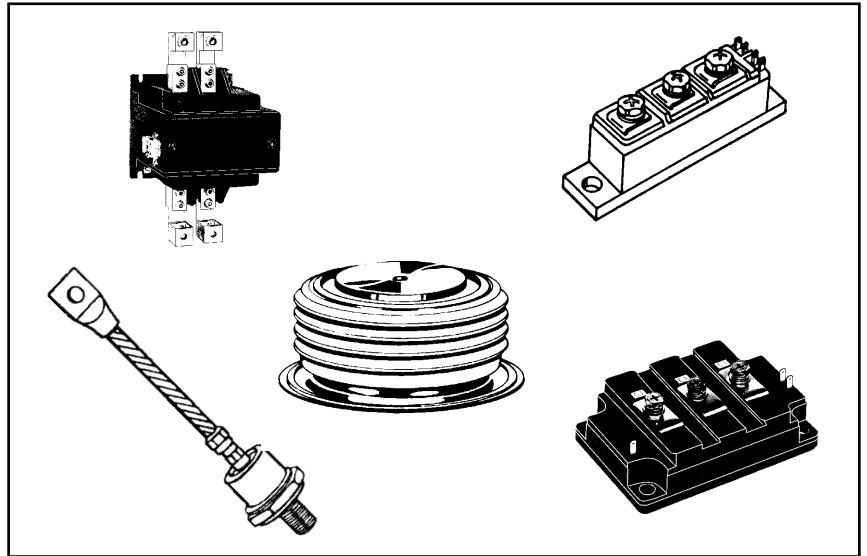
OEM REPLACEMENT COMPONENTS

BUY NBR PARTS AND SAVE UP TO 50% OVER THE OEM

Overview

Galco offers OEM Replacement Components at a significant cost savings compared to purchasing the same products from the OEM

- NBR parts are cross-referenced devices that are guaranteed drop-in replacements for commonly used OEM proprietary parts.
- They have the same fit, form and function as the originals -- they even have the same part number!



Features & Benefits

- **Same Part Number as the OEM**
No need to cross-reference -- we've done it for you!
- **In Stock Products Available for Same Day Shipping**
Eliminate the long lead time from the OEM
- **Save Up to 50%**
Name Brand Replacements save you money over the higher priced originals
- One year warranty

NBR

Equipment Supported

AC Drives • DC Drives •
Welders • Contactors • CNC
• Induction Heating Controls

Parts Supported

- Diodes
- SCR's
- Transistors
- Power Modules
- Contact Kits
- Contactors
- Resistors
- Capacitors

Why Buy Now?

Now is the time to stock up on those long lead time and often hard-to-find parts. Order today before the summer's brown-outs, power sags and power surges destroy your in house electronics.

When you buy NBR (Name Brand Replacements) from Galco, we can save you a bundle! Typical costs savings are from 20% to 50% over high-priced OEM parts. Ask for NBR the next time you need renewal parts and take the savings straight to the bank!

ABB
AJAX
ALLEN BRADLEY*
BENSHAW
CLEVELAND MACHINES
CONTRAVES
CONTROL TECHNIQUES
CUTLER HAMMER
DYNAPOWER
EATON DYNAMATIC
ELECTRIC REGULATOR
EMERSON
FINCOR
FURNAS
GENERAL ELECTRIC
GETTYS
HAMPTON
HOBART

INDUCTOTHERM
IPE CHESTON
JOSLYN CLARK
LINCOLN
LINDE
LOUIS ALLIS
MILLER
PARAMETRICS
PILLAR
RELIANCE*
SAFTRONICS
SECO
SIEMENS
UDYLITE
VECTROL
WER
WESTINGHOUSE

* Not an authorized distributor

GALCO
INDUSTRIAL ELECTRONICS



800/575-5562

26010 Pinehurst Drive • Madison Heights, Michigan 48071
Emergency Number: (248) 542-9090 • Fax: (248) 542-8031
www.galco.com

SA060498
(orig.-6/4/98)