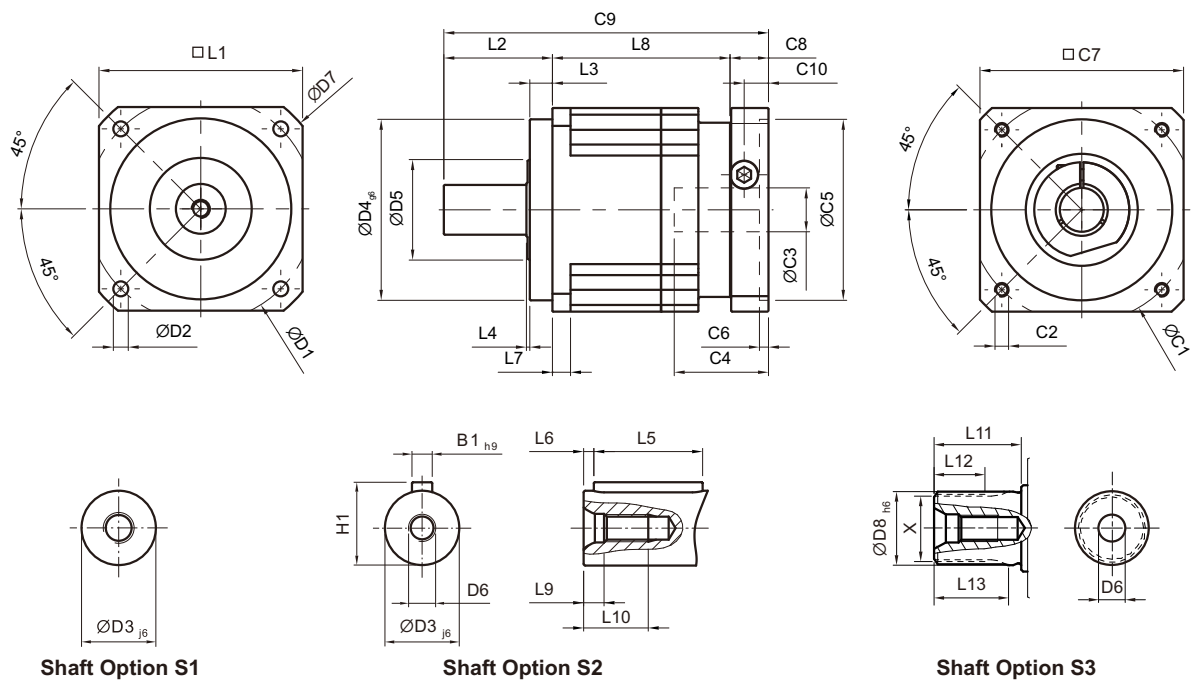


# Dimensions (1-stage, Ratio $i=3\sim 10$ ) / AB Series

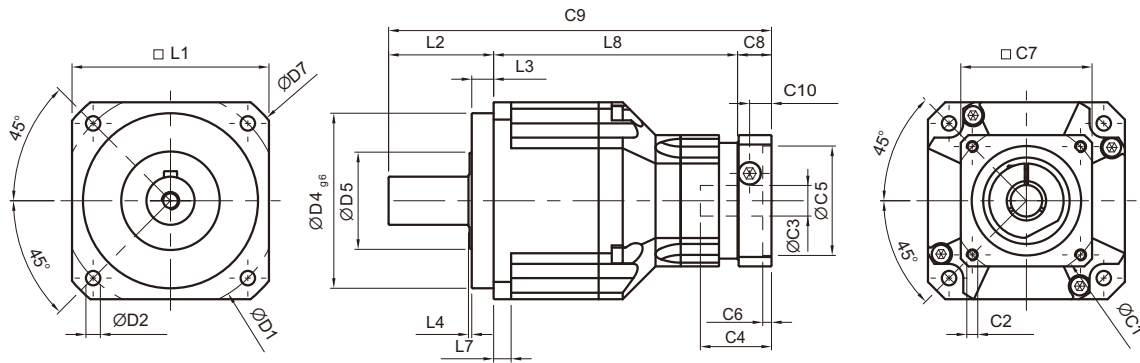


[unit: mm]

Dimension	AB042	AB060	AB090	AB115	AB142	AB180	AB220
D1	50	70	100	130	165	215	250
D2	3.4	5.5	6.6	9	11	13	17
D3 <sub>j6</sub>	13	16	22	32	40	55	75
D4 <sub>g6</sub>	35	50	80	110	130	160	180
D5	22	45	65	95	75	95	115
D6	M4 x 0.7P	M5 x 0.8P	M8 x 1.25P	M12 x 1.75P	M16 x 2P	M20 x 2.5P	M20 x 2.5P
D7	56	80	116	152	185	240	292
D8 <sub>h6</sub>	-	16	22	32	40	55	75
L1	42	60	90	115	142	180	220
L2	26	37	48	65	97	105	138
L3	5.5	7	10	12	15	20	30
L4	1	1.5	1.5	2	3	3	3
L5	16	25	32	40	63	70	90
L6	2	2	3	5	5	6	7
L7	4	6	8	10	12	15	20
L8	31	61	78.5	102	119.5	154	163.5
L9	4.5	4.8	7.2	10	12	15	15
L10	10	12.5	19	28	36	42	42
L11	-	26	26	26	40	41.5	52
L12	-	15	15	15	20	21.5	28
L13	-	21	22.5	23	33.5	33.5	45
C1 <sup>1</sup>	46	70	100	130	165	215	235
C2 <sup>1</sup>	M4 x 0.7P	M5 x 0.8P	M6 x 1P	M8 x 1.25P	M10 x 1.5P	M12 x 1.75P	M12 x 1.75P
C3 <sup>1</sup>	≤11 / ≤12 <sup>2</sup>	≤14 / ≤16 <sup>2</sup>	≤19 / ≤24	≤32	≤38	≤48	≤55
C4 <sup>1</sup>	25	34	40	50	60	85	116
C5 <sup>1</sup>	30	50	80	110	130	180	200
C6 <sup>1</sup>	3.5	8	4	5	6	6	6
C7 <sup>1</sup>	42	60	90	115	142	190	220
C8 <sup>1</sup>	29.5	19	17	19.5	22.5	29	63
C9 <sup>1</sup>	86.5	117	143.5	186.5	239	288	364.5
C10 <sup>1</sup>	8.75	13.5	10.75	13	15	20.75	53
B1 <sub>h9</sub>	5	5	6	10	12	16	20
H1	15	18	24.5	35	43	59	79.5
X DIN5480	-	W16x0.8x 30x18x6m	W22x1.25x 30x16x6m	W32x1.25x 30x24x6m	W40x2x 30x18x6m	W55x2x 30x26x6m	W70x2x 30x34x6m

1. C1-C10 are motor specific dimensions (metric std shown). Refer to [www.apexdyna.com](http://www.apexdyna.com) and Design Tool to view your specific motor mounting system.  
 2. AB042 ratio 5, 10 offers C3 ≤ 12 option; AB060 ratio 5, 10 offers C3 ≤ 16 option.

# Dimensions (2-stage, Ratio $i=12\sim 100$ ) / AB Series



Shaft Option S1

Shaft Option S2

Shaft Option S3

AB060A / AB090A / AB115A / AB142A

[unit: mm]

Dimension	AB042	AB060	AB060A	AB090	AB090A	AB115	AB115A	AB142	AB142A	AB180	AB220
D1	50	70		100		130		165	215	250	
D2	3.4	5.5		6.6		9		11	13	17	
D3 <sub>j6</sub>	13	16		22		32		40	55	75	
D4 <sub>g6</sub>	35	50		80		110		130	160	180	
D5	22	45		65		95		75	95	115	
D6	M4x0.7P	M5 x 0.8P		M8 x 1.25P		M12x1.75P		M16 x 2P	M20x2.5P	M20x2.5P	
D7	56	80		116		152		185	240	292	
D8 <sub>h6</sub>	-	16		22		32		40	55	75	
L1	42	60		90		115		142	180	220	
L2	26	37		48		65		97	105	138	
L3	5.5	7		10		12		15	20	30	
L4	1	1.5		1.5		2		3	3	3	
L5	16	25		32		40		63	70	90	
L6	2	2		3		5		5	6	7	
L7	4	6		8		10		12	15	20	
L8	58.5	72	98	111.5	126.5	143.5	163	176	191	209.5	248
L9	4.5	4.8		7.2		10		12	15	15	
L10	10	12.5		19		28		36	42	42	
L11	-	26		26		26		40	41.5	52	
L12	-	15		15		15		20	21.5	28	
L13	-	21		22.5		23		33.5	33.5	45	
C1 <sup>3</sup>	46	46	70	70	100	100	130	130	165	165	215
C2 <sup>3</sup>	M4x0.7P	M4x0.7P	M5 x 0.8P	M5 x 0.8P	M6 x 1P	M6 x 1P	M8x1.25P	M8x1.25P	M10x1.5P	M10x1.5P	M12x1.75P
C3 <sup>3</sup>	≤11 / ≤12	≤11 / ≤12	≤14 / ≤16	≤14 / ≤15.875 / ≤16	≤19 / ≤24	≤19 / ≤24	≤32	≤32	≤38	≤38	≤48
C4 <sup>3</sup>	25	25	34	34	40	40	50	50	60	60	85
C5 <sup>3</sup>	30	30	50	50	80	80	110	110	130	130	180
C6 <sup>3</sup>	3.5	3.5	8	8	4	4	5	5	6	6	6
C7 <sup>3</sup>	42	42	60	60	90	90	115	115	142	142	190
C8 <sup>3</sup>	29.5	29.5	19	19	17	17	19.5	19.5	22.5	22.5	29
C9 <sup>3</sup>	114	138.5	154	178.5	191.5	225.5	247.5	292.5	310.5	337	415
C10 <sup>3</sup>	8.75	8.75	13.5	13.5	10.75	10.75	13	13	15	15	20.75
B1 <sub>h9</sub>	5	5		6		10		12	16	20	
H1	15	18		24.5		35		43	59	79.5	
X DIN5480	-	W16x0.8x 30x18x6m		W22x1.25x 30x16x6m		W32x1.25x 30x24x6m		W40x2x 30x18x6m	W55x2x 30x26x6m	W70x2x 30x34x6m	

3. C1~C10 are motor specific dimensions (metric std shown). Refer to [www.apexdyna.com](http://www.apexdyna.com) and Design Tool to view your specific motor mounting system.