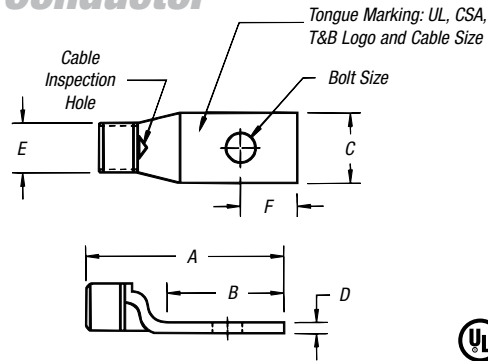


Compression Connectors for Copper Conductor

One-Hole Lugs — Standard Barrel 600V to 35kV

Material: High-Conductivity Wrought Copper

Finish: Electro Tin Plate



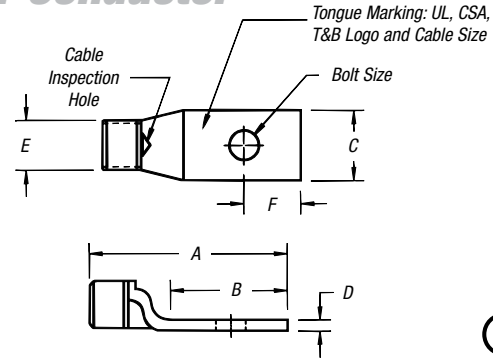
CAT. NO.	WIRE SIZE			DIMENSIONS (IN.)						DIE CODE	DIE COLOR
	CODE	FLEX CLASS G, H, I, K, M†	BOLT SIZE	A	B	C	D	E	F		
54101			¼	1.23	.56	.50	.05	.20	¼		"C" NEST
256-30695-1351	#14-10 AWG		#8	1.36	.68	.36	.05	.20	¼	ERG4002	
256-30695-1352			¼	1.36	.68	.41	.05	.20	¼	ERG4005	
256-30695-263			¼	1.69	.81	.50	.07	.20	¼		
54104			#10	1.16	.50	.39	.08	.25	7/32	21	RED
54130		23 Navy	¼	1.20	.61	.45	.07	.25	¼	21	
54131	#8 AWG	#8 Weld	5/16	1.33	.64	.56	.05	.25	9/32	21	
54132		37/24 = 14.9 kcmil	3/8	1.33	.64	.56	.05	.25	9/32	21	
256-30695-424			½	1.75	1.31	1.00	.13	.25	½	21	BLUE
256-30695-1361			#12	1.23	.53	.44	.07	.31	7/32	24	
54134		#30 Navy	¼	1.23	.53	.44	.07	.31	7/32	24	
54105	#6 AWG	#6 Weld	5/16	1.23	.53	.44	.07	.31	7/32	24	
54135		61/24 = 24.6 kcmil	3/8	1.41	.67	.60	.07	.31	5/16	24	
54136		133/.014	3/8	1.41	.67	.60	.07	.31	5/16	24	
256-30695-282				½	1.41	.75	.56	.06	.31	5/16	24
256-30695-422			½	1.75	1.31	1.00	.13	.31	½	24	GRAY
256-30695-1362		#4 Weld	#12	1.38	.60	.55	.09	.37	¼	29	
54138		40-50 Navy	#10	1.38	.60	.55	.09	.37	¼	29	
54106	#4 AWG	91/24 = 36.7 kcmil	¼	1.38	.60	.55	.09	.37	¼	29	
54139		133/.0177	5/16	1.42	.66	.61	.07	.37	5/16	29	
54140		49/.029	3/8	1.42	.66	.61	.07	.37	5/16	29	
256-30695-233			#5 91/24	½	1.56	.75	.59	.06	.37	5/16	29
256-30695-264			½	2.20	1.40	1.00	.06	.37	½	29	BROWN
54107		#60 Navy	¼	1.50	.65	.59	.11	.41	¼	33	
54142-TB	#2 AWG	125/24 = 50.5 kcmil	5/16	1.73	.88	.59	.11	.41	3/8	33	
54143-TB		#3 Weld	3/8	1.65	.80	.59	.11	.41	3/8	33	
54145-TB			½	1.92	1.08	.75	.08	.41	½	33	
54108		75 Navy, #2 Weld	¼	1.50	.65	.68	.11	.47	¼	37	GREEN
54147	#1 AWG	150/24 = 60.5 kcmil	5/16	1.73	.93	.68	.11	.47	3/8	37	
54148		175/24 = 70.6 kcmil	3/8	1.78	.98	.68	.11	.47	3/8	37	
54150		133/.0223	½	2.10	1.25	.76	.11	.47	½	37	
54152-TB		#100 Navy	¼	1.60	.65	.75	.13	.52	¼	42	PINK
54153-TB	1/0 AWG	#1 Weld	5/16	1.83	.88	.75	.13	.52	3/8	42	
54109		225/24 = 90.8 kcmil	3/8	1.88	.93	.75	.13	.52	3/8	42	
54155-TB		133/.0254	½	2.20	1.25	.75	.13	.52	½	42	
256-30695-1383			5/8	2.54	1.50	.88	.13	.52	5/8	42	BLACK
54157		125 Navy	¼	1.65	.65	.83	.13	.57	¼	45	
54158		1/0 Weld	5/16	1.88	.88	.83	.13	.57	3/8	45	
54110	2/0 AWG	275/24 = 111 kcmil	3/8	1.93	.93	.83	.13	.57	3/8	45	
54160		427/.0155	½	2.25	1.25	.83	.13	.57	½	45	
256-30695-131		133/.0282	5/8	2.56	1.50	.83	.13	.57	5/8	45	

† Contact Technical Services for specific stranding listings

Tooling: pp. F-80-F-100

Die Selector Chart: pp. F-101-F-104

Compression Connectors for Copper Conductor



CAT. NO.	WIRE SIZE			DIMENSIONS (IN.)						DIE CODE	DIE COLOR
	CODE	FLEX CLASS G, H, I, K, M ¹	BOLT SIZE	A	B	C	D	E	F		
54162-TB		150 Navy, 2/0 Weld	¼	1.75	.65	.92	.13	.63	¼	50	ORANGE
54163-TB	3/0 AWG	325/24 = 131 kcmil	⅝	1.98	.88	.92	.13	.63	⅝	50	
54111		133/.0316, 259/.0227	⅝	2.03	.93	.92	.13	.63	⅝	50	
54165-TB		427/.0177	½	2.35	1.25	.92	.13	.63	½	50	PURPLE
54167	4/0 AWG	200 Navy	¼	1.90	.65	1.03	.14	.70	¼	54	
54168		3/0 Weld	⅝	2.13	.87	1.03	.14	.70	⅝	54	
54112		450/24 = 182 kcmil	⅝	2.18	.93	1.03	.14	.70	⅝	54	
54170		703/.0154	½	2.50	1.25	1.03	.14	.70	½	54	YELLOW
256-30695-1174			¾	2.86	1.56	1.03	.14	.70	¾	54	
58161		4/0 Weld	¼	2.23	.78	1.25	.15	.79	⅝	62	
58162		550/24 = 222 kcmil	⅝	2.33	.88	1.25	.15	.79	⅝	62	YELLOW
58163		133/.0399	⅝	2.38	.93	1.25	.15	.79	⅝	62	
58165		259/.0286	½	2.76	1.25	1.25	.15	.79	½	62	
58166		637/.0183	⅝	3.03	1.58	1.25	.15	.79	⅝	62	WHITE
54172-TB			¼	2.00	.65	1.13	.14	.77	½	62	
54173	250 kcmil	250 Navy	⅝	2.23	.88	1.13	.14	.77	⅝	62	
54174				⅝	2.28	.93	1.13	.14	.77	⅝	62
54113			½	2.60	1.25	1.13	.14	.77	½	62	RED
58168		250 Weld, 650/24 = 262 kcmil, 259/.0311, 703/.0189	½	2.70	1.25	1.25	.15	.85	½	66	
54178	300 kcmil	300 Navy	⅝	2.33	.88	1.25	.15	.85	⅝	66	
54179				⅝	2.43	.93	1.25	.15	.85	⅝	66
54114				½	2.70	1.25	1.25	.15	.85	½	66
54181			⅝	3.03	1.58	1.25	.15	.85	¾	66	RED
58171		300 Weld, 259/.034, 427/.0265, 889/.0183 775/24 = 313 kcmil	½	2.85	1.25	1.36	.18	.93	½	71	
256-30695-112			⅝	2.90	1.13	1.36	.18	.93	½	71	
54115	350 kcmil	350 Navy	½	2.85	1.25	1.36	.18	.93	½	71	BLUE
54183				⅝	3.21	1.58	1.36	.18	.93	¾	
58174		350 Weld, 259/.0368, 427/.0285, 703/.0224, 889/.0201	½	3.35	1.25	1.61	.22	1.09	½	76	
54116	400 kcmil	400 Navy	½	3.20	1.25	1.41	.17	.96	½	76	BLUE
54185				⅝	3.53	1.58	1.41	.17	.96	¾	

¹ Contact Technical Services for specific stranding listings

Tooling: pp. F-80-F-100

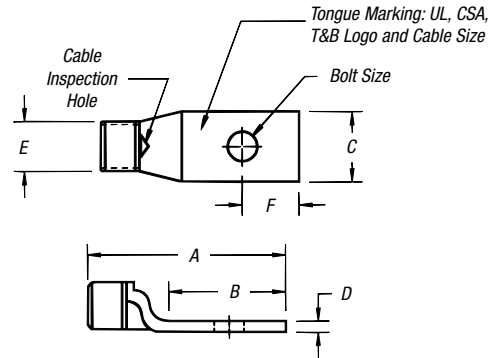
Die Selector Chart: pp. F-101-F-104

Compression Connectors for Copper Conductor

One-Hole Lugs — Standard Barrel 600V to 35kV (continued)

Material: High-Conductivity Wrought Copper

Finish: Electro Tin Plate



CAT. NO.	WIRE SIZE			DIMENSIONS (IN.)						DIE CODE	DIE COLOR	
	CODE	FLEX CLASS G, H, I, K, M [†]	BOLT SIZE	A	B	C	D	E	F			
256-30695-1403 58177		400 Weld									80	N/A
		925/24 = 373 kcmil	3/8	3.31	1.31	1.61	.22	1.04	5/8			
256-30695-339 54118 54187	500 kcmil	500 Navy	3/8	3.10	1.00	1.61	.22	1.10	3/8	87	87	BROWN
			1/2	3.30	1.25	1.61	.22	1.10	1/2			
			3/4	3.63	1.58	1.61	.22	1.10	3/4			
58180		450 Flex, 1127, 4522 1100/24 = 444 kcmil	3/8	3.79	1.58	1.75	.24	1.20	5/8	94	94	GREEN
256-30695-1370 54120	600 kcmil		1/2	3.65	1.44	1.75	.24	1.20	3/16	94	94	PINK
54122-TB	700 kcmil		3/8	3.79	1.58	1.75	.24	1.20	5/8			
256-30695-1404 256-30695-1405 256-30695-840 58182		1325/24 = 535 kcmil 500 Flex 427/.0342 259, 4125, 5054	3/8 1/2 1/2 3/8	3.29 3.29 4.00 3.83	1.29 1.29 1.69 1.58	1.81 1.81 1.81 1.81	.28 .28 .28 .28	1.25 1.25 1.25 1.25	2 1/32 2 1/32 3 1/64 5/8	99 99 99 99	99	BLACK
256-30695-193 54123-TB	750 kcmil	600 Flex 427	1/2 3/8	4.00 3.87	1.69 1.58	1.94 1.94	.27 .27	1.33 1.33	3 1/64 5/8	106 106	106	
58184 54124-TB	800 kcmil	1600/24 = 646 kcmil 800 Navy	3/8 5/8	3.80 4.04	1.58 1.58	1.94 2.01	.27 .27	1.33 1.38	5/8 5/8	106 107	107	ORANGE
256-30695-843 54126 54126 54128	900 kcmil	1925/24 = 777 kcmil 900 Navy	1/2 3/8 3/8	4.31 4.15 4.09	1.81 1.58 1.58	2.17 2.17 2.27	.31 .31 .30	1.50 1.50 1.55	7/8 5/8 5/8	115 115 115	115	YELLOW
	1000 kcmil	1000 Navy	3/8	4.09	1.58	2.27	.30	1.55	5/8	125	125	N/A

[†] Contact Technical Services for specific stranding listings

Tooling: pp. F-80-F-100

Die Selector Chart: pp. F-101-F-104

Note: Angled Lugs can be readily available as: 15°, 30°, 45°, 60°, and 90°