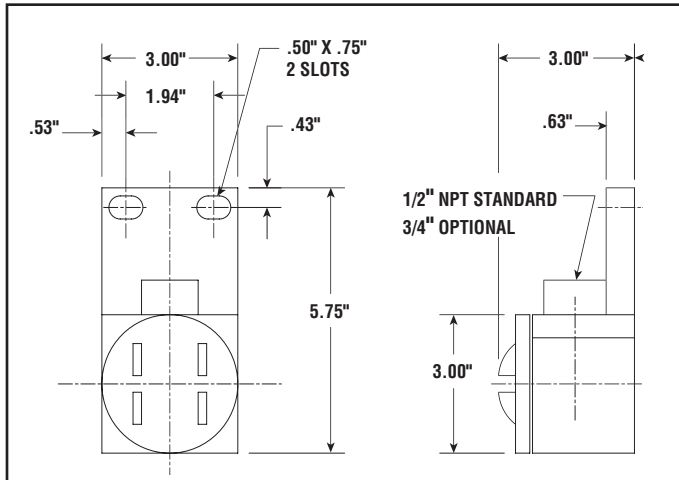


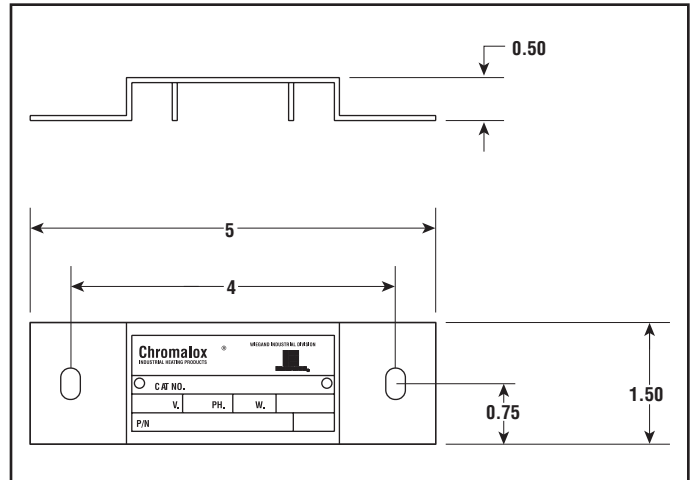
## Over-the-Side Immersion Heaters

### Terminal Enclosure Dimensions

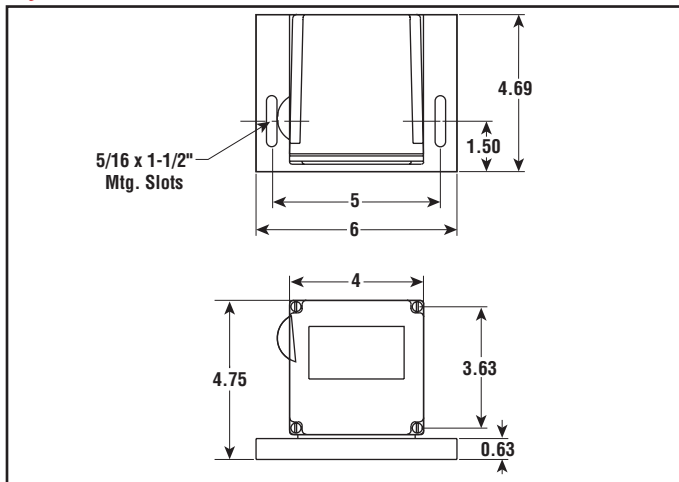
**Style A — Dimensions (Inches) GS, GT, GS3, GT3**



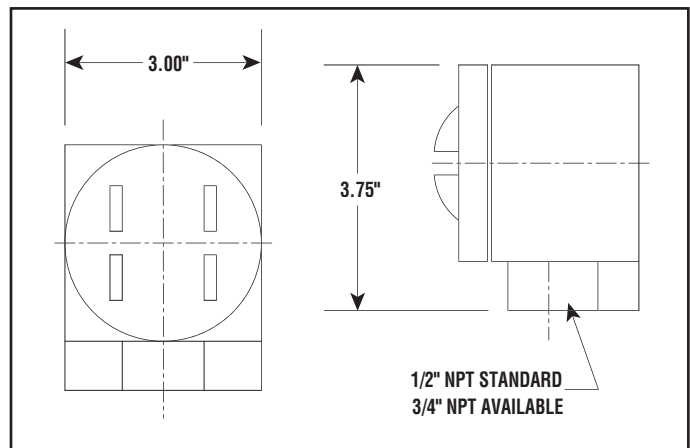
**Style B — Dimensions (Inches) PTH, PTHT**



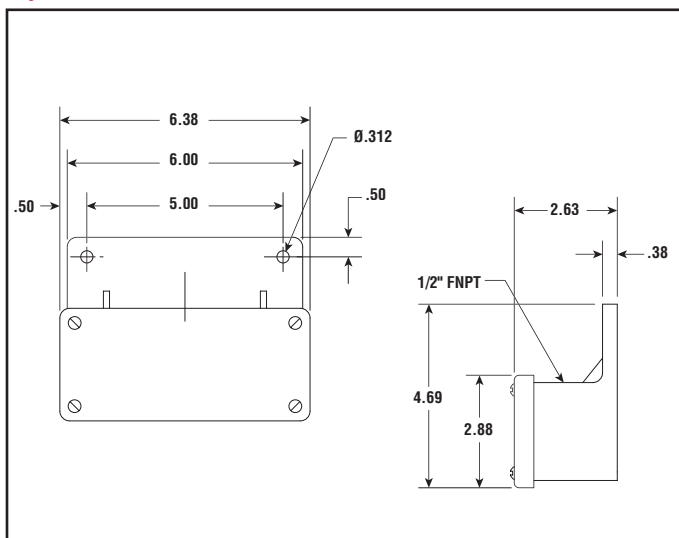
**Style C — Dimensions (Inches) PTFE, TPR, TPF**



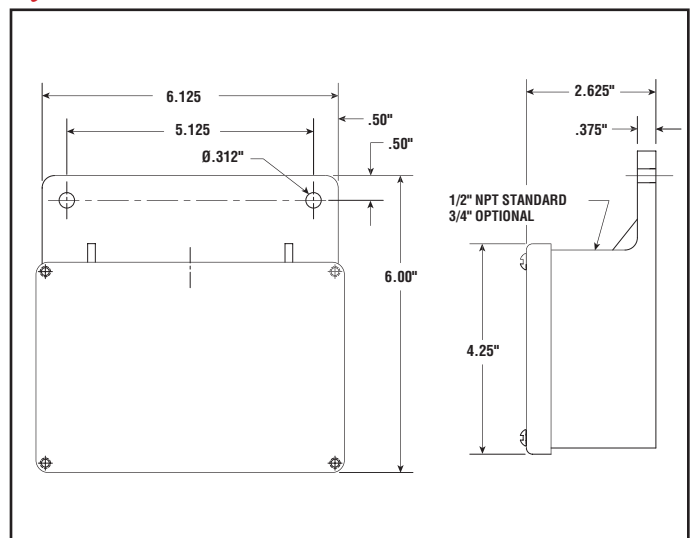
**Style D — Dimensions (Inches) GSV3, GTV3, GSL3, GTL3, GSL, GTL**



**Style E — Dimensions (Inches) GTFL 3**



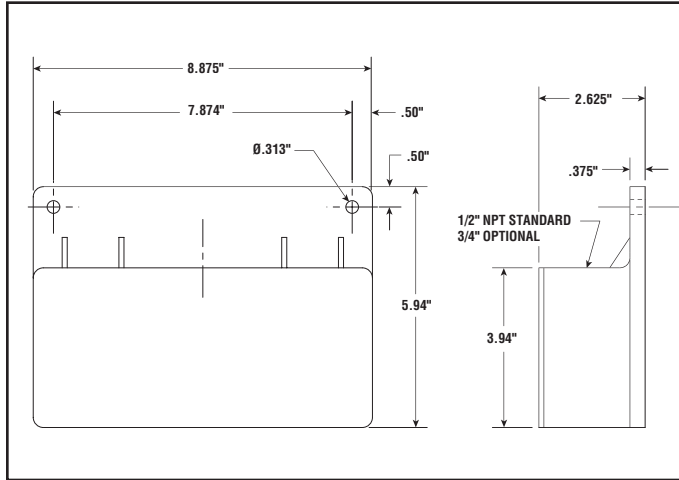
**Style F — Dimensions (Inches) GTF6**



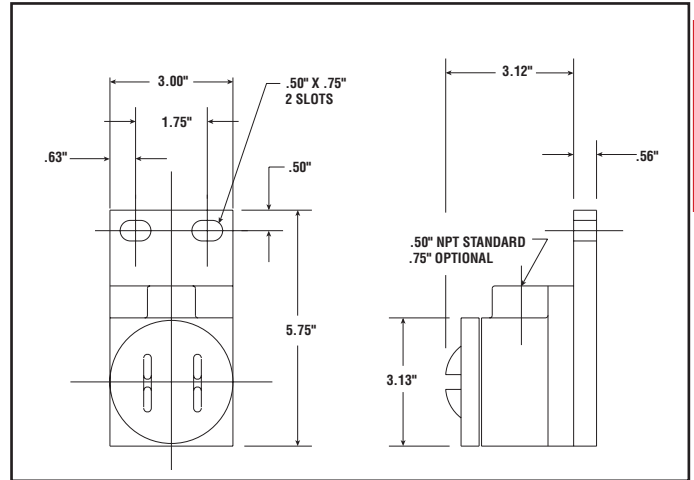
## Over-the-Side Immersion Heaters

### Terminal Enclosure Dimensions

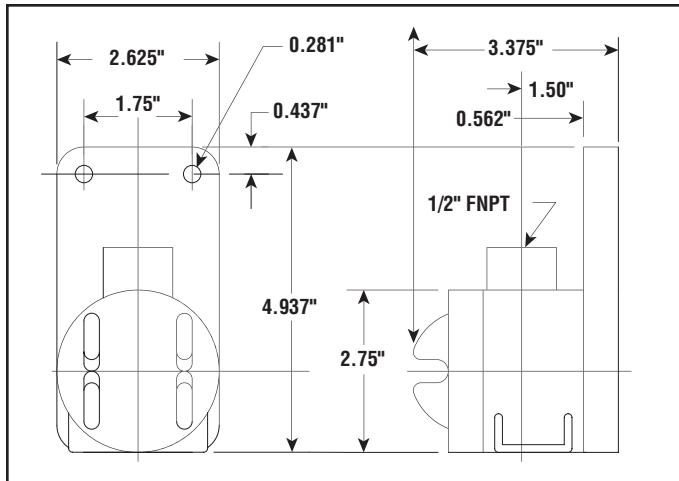
*Style G — Dimensions (Inches) GTF9*



*Style H — Dimensions (Inches) QM, QM3*



*Style J — Dimensions (Inches) GTF, GTFL, GXF, GXFL*



OVER-THE-SIDE