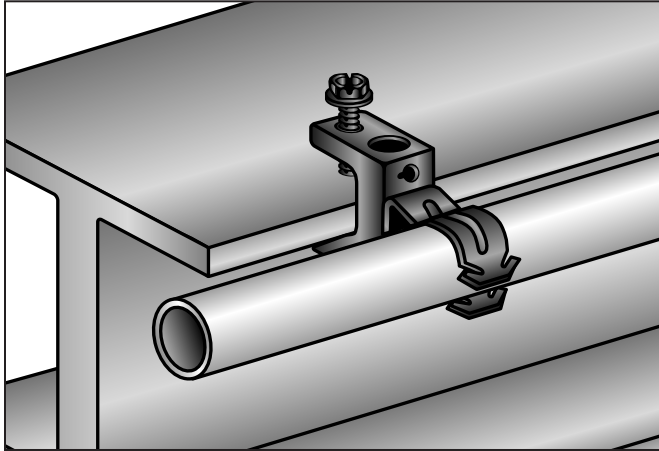


### BEAM CLAMP TO CONDUIT HANGER ASSEMBLIES

#### Ultimate Static Load Limit:

**25lbs Vertical Position**  
**15lbs Horizontal Position**

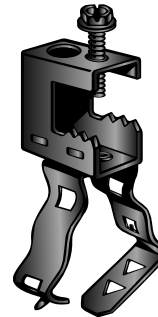
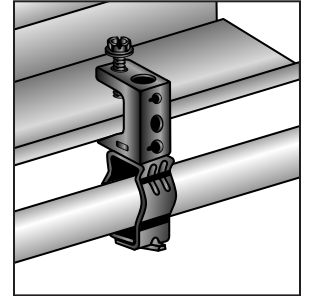
- Our #500 beam clamp with conduit hanger attached.



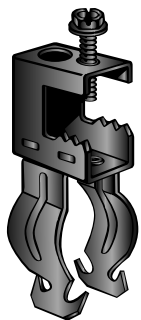
#### Static Load Limit:

**100lbs Vertical Position**  
**25lbs Horizontal Position**

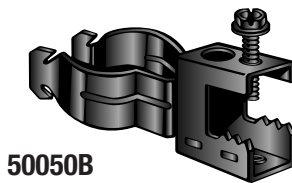
- Part #500 beam clamp with conduit hanger attached.



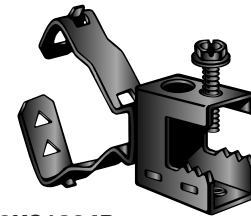
500KC1234



50050



50050B



500KC1234B

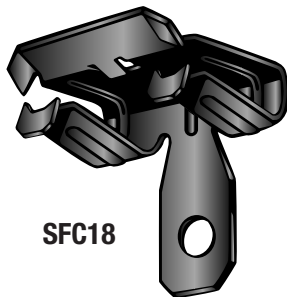
Fits EMT	Fits Rigid/IMC	Part #	Std Pkg
1/2	—	50050	100
3/4	1/2	50075	100
1	3/4	500100	100
1/2	—	50050B	100
3/4	1/2	50075B	100
1	3/4	500100B	100

Fits Conduit	Part #	Std Pkg
1/2 & 3/4	500KC1234	100
1	500KC1	100
1 1/4	500KC114	100
1 1/2	500KC112	100
2	500KC2	100
1/2 & 3/4	500KC1234B	100
1	500KC1B	100

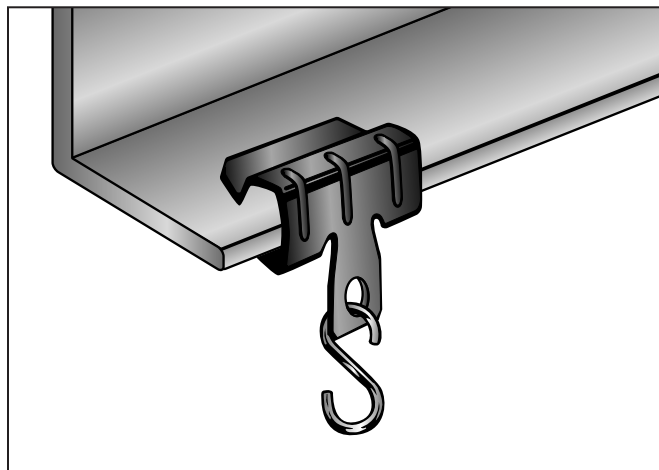
## FLANGE BEAM CLAMP

### Static Load Limit: 200lbs

- Installed with hammer on bulb tees and beams.
- Clearance for ¼" bolt in tab.



SFC18



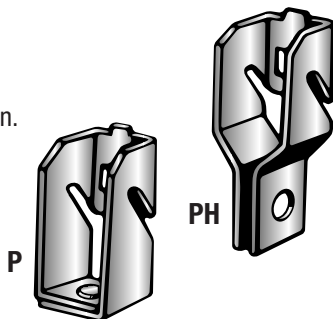
Flange Thickness	Part #	Std Pkg
1/8–1/4	SFC18 ★	100
5/16–1/2	SFC516 ★	100
9/16–3/4	SFC916 ★	100

★ Made in USA

## Z PURLIN HANGER

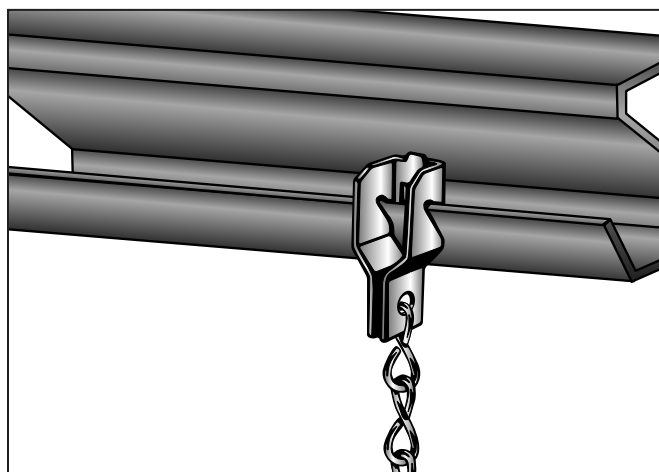
### Static Load Limit: 100lbs

- Installed without power tools.
- Compensates for angle of purlin.



P

PH



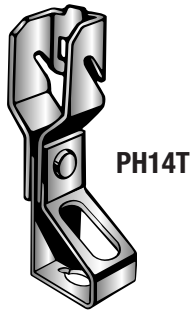
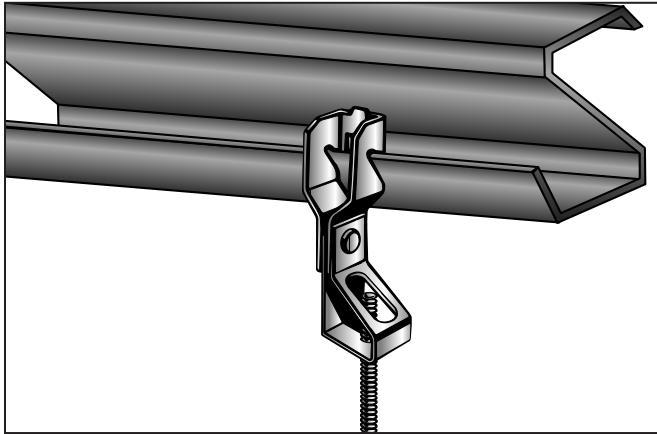
Description	Part #	Std Pkg
¼" Bottom Hole	P ★	100
¼" Hole for Wire, S-hooks, Perforated Strap and Jack Chain	PH ★	100

★ Made in USA

### Z PURLIN HANGER ASSEMBLIES

#### Static Load Limit: 100lbs

- Installed without power tools.
- Compensates for angle of purlin.

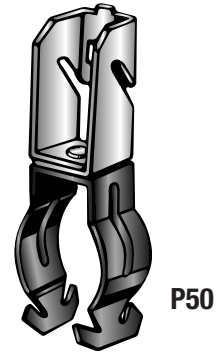
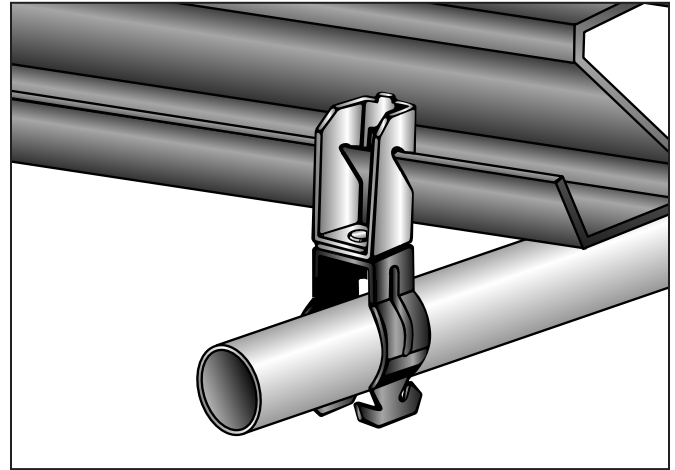


For Use With	Part #	Std Pkg
1/4" Threaded Rod	<b>PH14T</b> ★	100
3/8" Threaded Rod	<b>PH38T</b> ★	100
Up to 1" Strap	<b>PHPSR</b> ★	100

★ Made in USA

#### Ultimate Static Load Limit: 25lbs

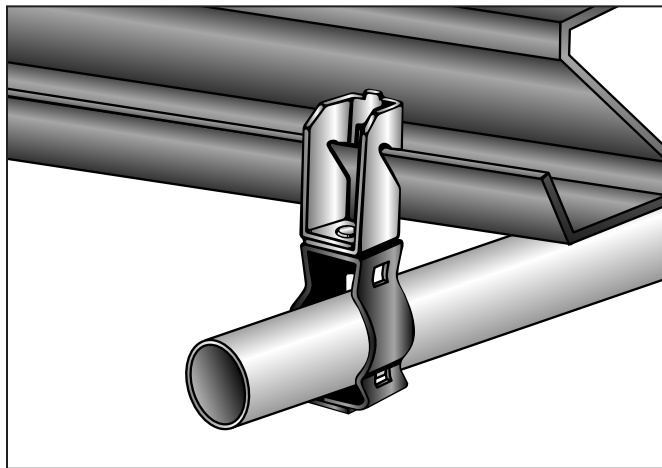
- Installed without power tools.
- Compensates for angle of purlin.



Description	Part #	Std Pkg
1/2" EMT	<b>P50</b> ★	100
1/2" EMT or 3/4" Rigid	<b>P75</b> ★	100
1" EMT or 3/4" Rigid	<b>P100</b> ★	50

★ Made in USA

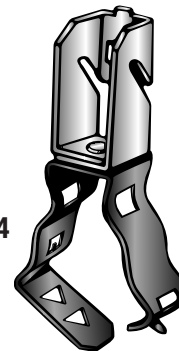
## Z PURLIN HANGER ASSEMBLIES



### Static Load Limit: 100lbs

- Installed without power tools.
- Compensates for angle of purlin.

PKC1234

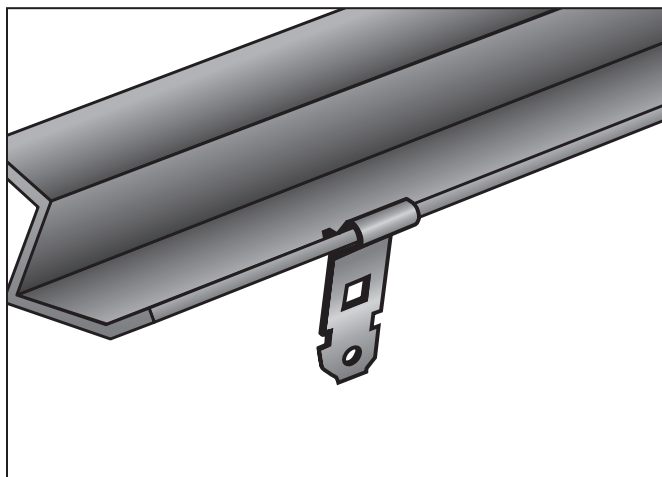


Description	Part #	Std Pkg
3/8" Conduit to Z Purlin	PKC38 ★	100
1/2" or 3/8" Conduit to Z Purlin	PKC1234 ★	100
1" Conduit to Z Purlin	PKC1 ★	100
1 1/4" Conduit to Z Purlin	PKC114 ★	50

★ Made in USA

## Z PURLIN FLANGE HANGER

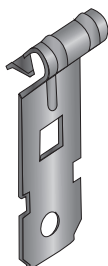
BLACK CLAW



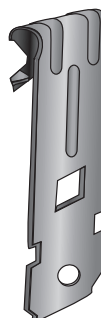
- Fits 1/8" to 1/4" thick Z Purlin (ABC25) or vertical flanges (VBC25).
- Clearance for 1/4" bolt.
- Accommodates tooling for floor installations.
- Assemblies available for ABC25 and VBC25. Please contact customer service.

Flange Thickness	For Use With	Part #	Std Pkg
1/16-1/4	Angled Z Purlin for S-Hooks, Perforated Strap and Wire	ABC25 ★	100
1/16-1/4	Vertical Flange for S-Hooks, Perforated Strap and Wire	VBC25 ★	100

★ Made in USA

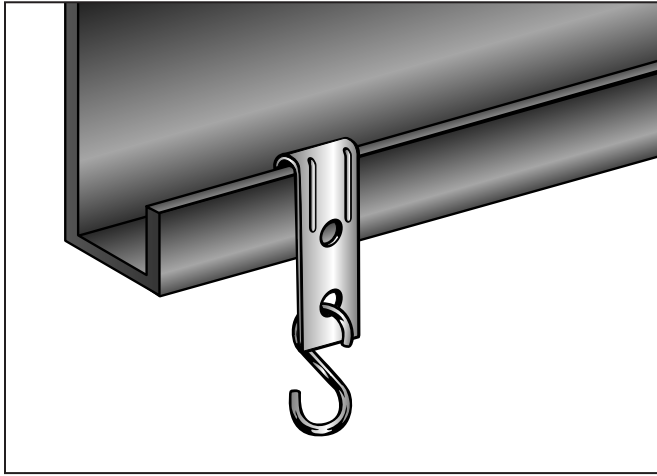


Static Load Limit: 100lbs  
ABC25



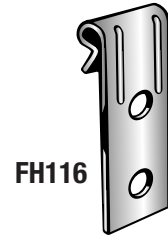
Static Load Limit: 160lbs  
VBC25

### FLANGE HANGER



#### Static Load Limit: 160lbs

- Clearance for 1/4" bolt.

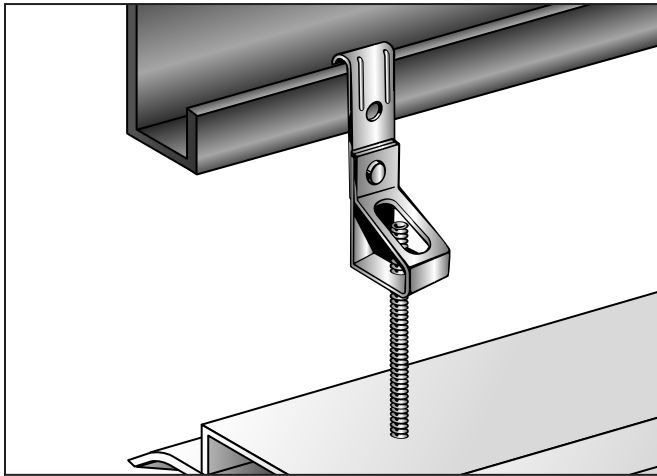


FH116

Flange Thickness	For Use With	Part #	Std Pkg
1/16–5/16	S-Hooks, Perforated Strap and Wire	FH116 ★	100
5/32–1/4	S-Hooks, Perforated Strap and Wire	FH532 ★	100

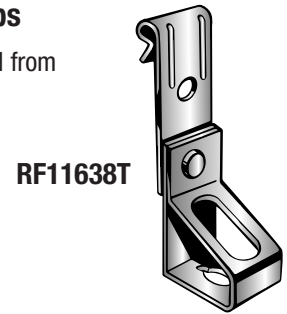
★ Made in USA

### ROD TO FLANGE HANGER



#### Static Load Capacity: 160lbs

- Suspends 1/4" or 3/8" threaded rod from vertical flange 1/16" to 1/4" thick.



RF11638T

Flange Thickness	For Use With	Part #	Std Pkg
1/16–5/32	1/4" Threaded Rod	RF11614T ★	100
5/32–1/4	1/4" Threaded Rod	RF53214T ★	100
1/16–5/32	3/8" Threaded Rod	RF11638T ★	100
5/32–1/4	3/8" Threaded Rod	RF53238T ★	100

★ Made in USA