

# QLN65AC Series Crossflow Blower

120... 300mm x Ø 65mm Impeller

- High efficiency product line, impeller diameter 65 mm.
- Mounting position horizontal or vertical with motor at the bottom.
- Permissible ambient temperature 0-60° C.
- Insulation class B, class F or H on request.
- Minimum order quantity may apply.

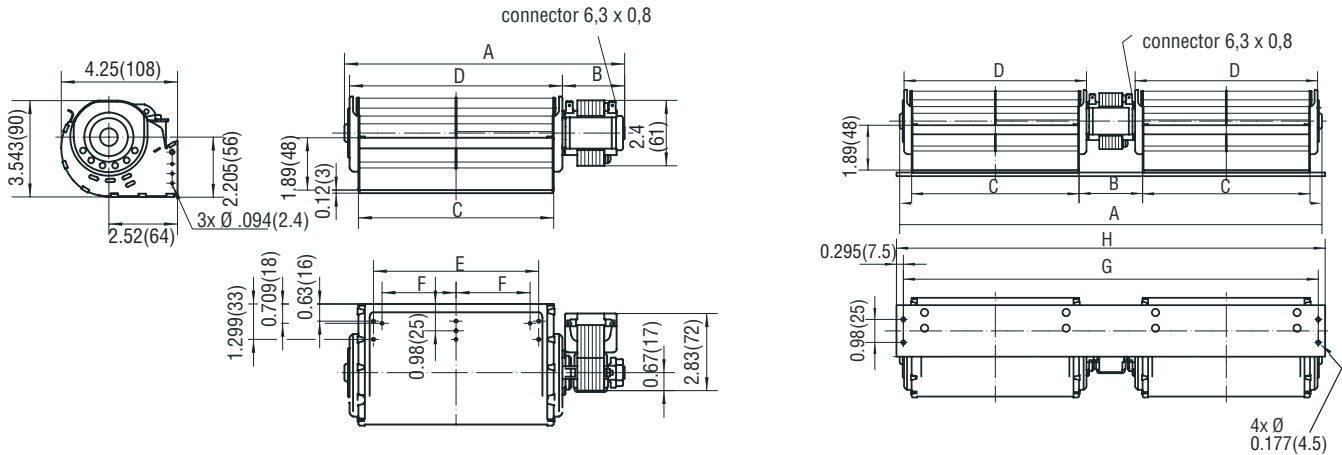
Part Number	Model Number	Motor Position (L/R)	VAC	Hertz	Airflow (CFM)*	Max. Static Pressure (Pa)	Power Input (W)*	Speed* (RPM)	Weight (lbs.)	Coil Position**	Insulation Class
***	QLN65/1200-2524LH	R	115	60	49	50	14	1,300	2.0	0	H
55416.17090	QLN65/0012A13-2524LH-66RV	L	115	60	74	50	42	1,950	2.0	90	H
55416.25170	QLN65/1800A25-3030LH-85ABZ	R	115	60	114	93	49	1,700	2.7	0	H
55416.27260	QLN65/0018A63-3030LH-185ABZ	L	115	60	114	93	49	1,700	2.7	0	H
55416.30250	QLN65/2400A38-3030LH-166ACW	R	115	60	129	83	55	1,500	3.2	0	H
55416.32130	QLN65/002437-3030L-208ZS	L	115	60	129	83	55	1,500	3.2	0	B
55416.35031	QLN65/3000A3-3045L-48DL	R	115	60	150	110	65	1,400	3.9	0	B
55416.37070	QLN65/0030A15-3045LH-60NI	L	115	60	150	110	65	1,400	3.9	0	H
<b>TWIN Series (double housing)</b>											
55416.29089	QLN65/1818A8-3045LH-69UH	M	115	60	174	113	54	1,250	5.3	180	H
55416.34099	QLN65/2424A9-3045LH-69UH	M	115	60	188	108	54	1,050	5.7	180	H

\* Data based on free delivery conditions. Subject to alterations.

\*\* See Fig. 1 on page 234.

\*\*\* Contact application engineering for part number.

Model Number	Motor Position	A		B		C		D		E		F		G		H	
		inch	mm	inch	mm	inch	mm	inch	mm	inch	mm	inch	mm	inch	mm	inch	mm
QLN65/1200-2524LH	R	7.72	196	1.93	49	4.80	122	5.47	139	3.70	94	-	-	-	-	-	-
QLN65/0012A13-2524LH-66RV	L	7.72	196	1.93	49	4.80	122	5.47	139	3.70	94	-	-	-	-	-	-
QLN65/1800A25-3030LH-85ABZ	R	10.47	266	2.32	59	7.17	182	7.83	199	6.06	154	3.03	77	-	-	-	-
QLN65/0018A24-3030LH-81ABZ	L	10.47	266	2.32	59	7.17	182	7.83	199	6.06	154	3.03	77	-	-	-	-
QLN65/2400A20-3030LH-85ACW	R	13.03	331	2.56	65	9.53	242	10.20	259	8.35	212	4.17	106	-	-	-	-
QLN65/0024A5-3030L-167ZS	L	13.03	331	2.56	65	9.53	242	10.20	259	8.35	212	4.17	106	-	-	-	-
QLN65/3000A3-3045L-48DL	R	15.75	400	2.87	73	11.89	302	12.56	319	10.71	272	5.35	136	-	-	-	-
QLN65/0030A15-3045LH-60NI	L	15.75	400	2.87	73	11.89	302	12.56	319	10.71	272	5.35	136	-	-	-	-
QLN65/1818A8-3045LH-69UH	M	18.90	480	3.31	84	7.17	182	7.83	199	-	-	-	-	18.23	463	18.82	478
QLN65/2424A9-3045LH-69UH	M	23.62	600	3.31	84	9.53	242	10.20	259	-	-	-	-	22.95	583	23.54	598



**ebmpapst**

e-mail: sales@us.ebmpapst.com · TEL: 860-674-1515 · FAX: 860-674-8536

ebm-papst Inc., 100 Hyde Road, Farmington, CT 06034 USA

ebm-papst Inc., 2006 © ebm-papst Inc. reserves the right to change any specifications or data without notice