

PLEASE CHECK WWW.MOLEX.COM FOR LATEST PART INFORMATION

Part Number: **0190020044**
Status: **Active**
Description: Avikrimp™ Quick Disconnect, Female, for 10-12 (5.00-3.30) Wire, Box, Tab 6.35mm (.250") x 0.81mm (.032")

Documents:

[Drawing \(PDF\)](#)
[Product Specification PS-19902-011 \(PDF\)](#)
[Product Specification PS-19902-013 \(PDF\)](#)
[Product Specification PS-19902-014 \(PDF\)](#)
[RoHS Certificate of Compliance \(PDF\)](#)

Agency Certification

CSA LR18689
 UL E79133

General

Product Family Quick Disconnects
 Series 19002
 Crimp Quality Equipment Yes
 Product Name Avikrimp™
 Type Quick Disconnect

Physical

Barrel Type Closed
 Flammability 94V-2
 Gender Female
 Glow-Wire Compliant No
 Insulation Nylon (PA)
 Lock to Mating Part None
 Material - Metal Brass
 Orientation Straight
 Packaging Type Bag
 Polarized to Mating Part No
 Tab Thickness 0.81mm (.032")
 Tab Width 6.35mm (.250")
 Temperature Range - Operating -65°C to +105°C
 Wire Insulation Diameter 6.22mm (.245") max.
 Wire Size AWG 10, 12
 Wire Size mm² 3.30 - 5.00

Electrical

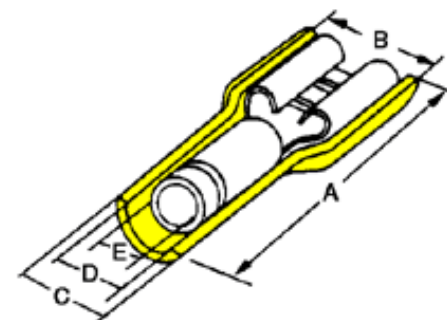
Voltage - Maximum 300V

Material Info

Old Part Number C-5265

Reference - Drawing Numbers

Product Specification PS-19902-011, PS-19902-013, PS-19902-014
 Sales Drawing SD-19002-005



Series

image - Reference only

EU RoHS

ELV and RoHS Compliant

REACH SVHC

Not Reviewed

Low-Halogen Status

Low-Halogen

China RoHS



Need more information on product environmental compliance?

Email productcompliance@molex.com
 For a multiple part number RoHS Certificate of Compliance, [click here](#)

Please visit the [Contact Us](#) section for any non-product compliance questions.

Search Parts in this Series

19002Series

Use With

19001-0010 , 19001-0011

Application Tooling | FAQ

Tooling specifications and manuals are found by selecting the products below. Crimp Height Specifications are then contained in the Application Tooling Specification document.

Global

Description	Product #
Hand Crimp Tool	0640010200
Hand Crimp Tool	0640013000
Crimp Head for the AT-200™ Pneumatic Hand Tool	0640050200
Crimp Head for the AT-200™ Pneumatic Hand Tool	0640053000