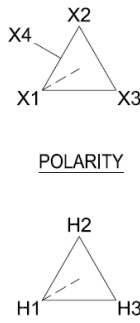
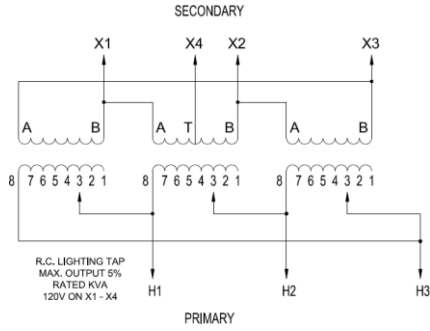


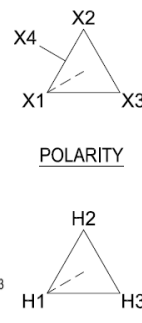
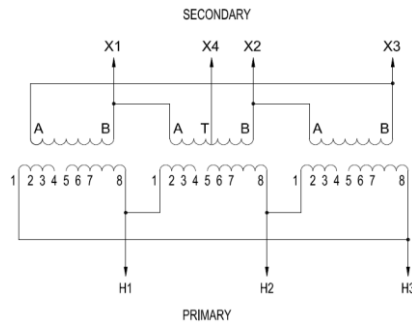
### DIAGRAM "LL"

VOLTS	TAP
504	1
492	2
480	3
468	4
456	5
444	6
432	7



### DIAGRAM "MM"

VOLTS	CONNECT
504	4 TO 5
492	4 TO 6
480	4 TO 7
468	3 TO 6
456	3 TO 7
444	2 TO 6
432	2 TO 7



### DIAGRAM "NN"

WDG	VOLTS	LINE
PRI	504	H1-H2-H3
	492	H4-H5-H6
	480	H7-H8-H9
	468	H10-H11-H12
	456	H13-H14-H15

### DIAGRAM "PP"

VOLTS	CONNECT	LINE
504	1-6	H1-H2-H3
492	1-5	
480	1-4	
468	2-5	
456	2-4	
444	3-5	
432	3-4	

### DIAGRAM "QQ"

VOLTS	TAP
504	1
492	2
480	3
468	4
456	5
444	6
432	7

