

## COVERS

SERIES	TYPE	CATALOG # (replace x with # of poles)	POLES (x)	FIGURE #
132	SNAP-ON	CH132x	1/2/3	3
133	SNAP-ON	CH133x	1/2/3	3
134	SNAP-ON	CH1343	3	4
135	SNAP-ON	CH1351	1	5
140	SCREW-ON	CC140x	2/3	1
141	SNAP-ON	CC141x	1/2/3/4	2
142	SCREW-ON	CC142x	1/2/3	1
143	SCREW-ON	CC143x	1/2/3	1
144	SCREW-ON	CC144x	1/2/3	1
145	SCREW-ON	CC145x	1/2/3	1
HVPB1	SNAP-ON	CH1331	1	5
HVPB2	SNAP-ON	CH1332	1	5

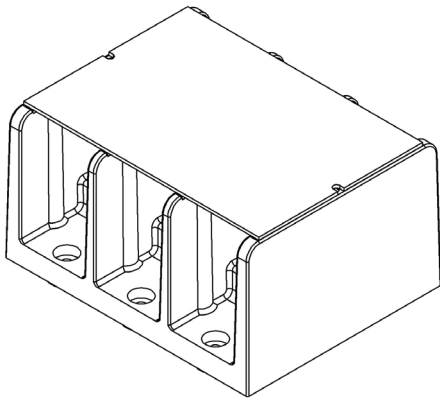


FIGURE 1

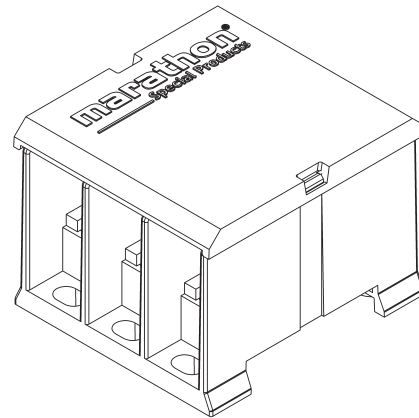


FIGURE 2

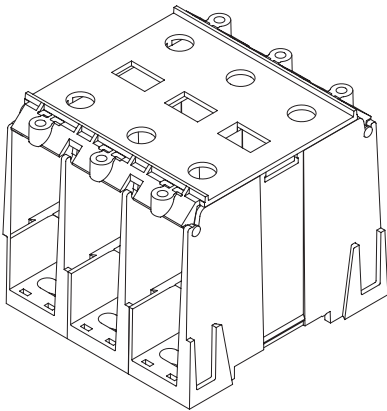


FIGURE 3

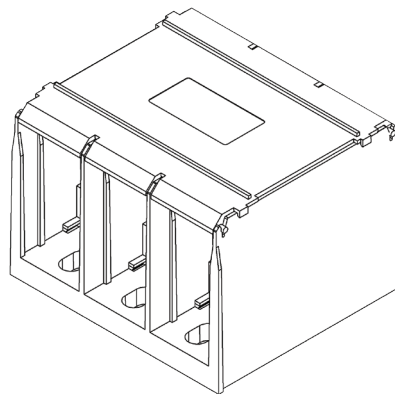


FIGURE 4

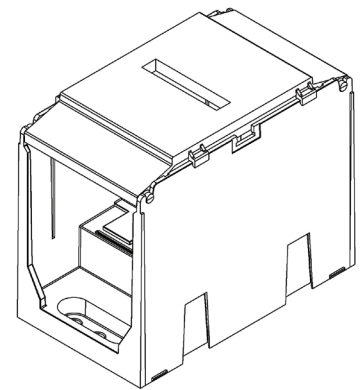


FIGURE 5