

EMPARRO67 POWER SUPPLY 1-PHASE

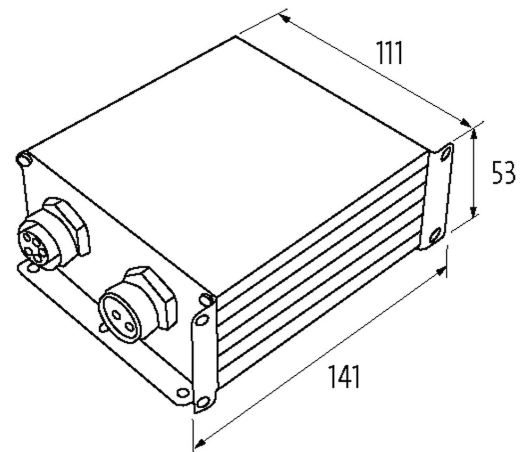
IN: 100-240VAC OUT: 24VDC/4A

Emparro®67

INPUT: 90...265 V AC/90...265 V DC

OUTPUT: 24 V DC (SELV), ±2%

Current: 4 A

[Link to Product](#)**Illustration**

Product may differ from Image

Approvals**Input**

Input voltage	90...265 V AC/90...265 V DC
Input current	1.1 A (100 V AC); 0.5 A (240 V AC)
Inrush current after 1 ms	max. 8.9 A (230 V AC)
Power factor	0.98 (230 V AC)

Connection	7/8" (male), 3-pole
Frequency	50...60 Hz
Input fuse (internal)	6.3 A (T)

Output

Output voltage	24 V DC (SELV), $\pm 2\%$
Power Boost	I _{out} N \times 150% (min. 4 s)
Output current	4 A
Connection	7/8" (female), 5-pole
Mains failure bridging time	min. 45 ms (230 V AC); 4 A (24 V DC)
Ripple	max. 20 mV eff/rms
Spikes	max. 100 mV ss/pp
Unit protection	Short-circuit, overload and temperature
LED display	LED (green): OK; LED (red): overload, overheating or short-circuit
Parallel usage/serial usage	max. 3 units/max. 2 units

General data

Standards	EN 60950-1, EN 61204-3, EN 55011 A, EN 61000-3-2
Relative humidity	4...100%
Protection	IP67
Efficiency	91.7% (115 V AC); 92.4% (230 V AC)
Mounting method	6 hole screw mounting
Temperature range	-40...+60 °C, ...+70 °C derating (storage temperature -40...+80 °C)
Dimensions H×W×D	51×109×140 mm

Commercial data

country of origin	CZ
customs tariff number	85044090
EAN	4048879482660
eClass	27049002
Packaging unit	1