

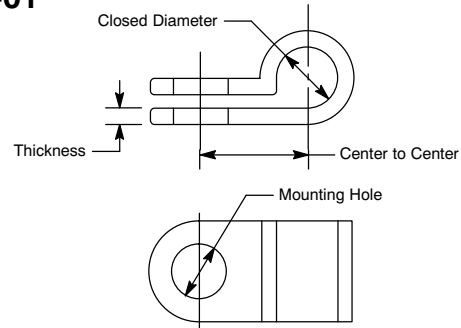
# Nylon Cable Clamps

## Features

- Designed to Secure the Routing of Cables, Harnesses, and Hoses
- Radius Edges Protect Against Insulation Abrasion and Cutting Hoses
- Quick Alignment is Achieved with Bottom Oval Screw Hole
- Accurate Selection is Made Easy with Clearly Identified Diameter Sizes



## CC-01



## Color Code Chart

0	Black	9	Natural
---	-------	---	---------

## Nylon Cable Clamps (100 per bag)

NTE Type No.	Diameter (in. / mm)	Width (in. / mm)	Thickness (in. / mm)	Center to Center (in. / mm)	Screw Hole (in. / mm)	Diag No.
04-CCL125x	.126 / 3.2	.378 / 9.6	.055 / 1.4	.374 / 9.5	.181 / 4.6	CC-01
04-CCL187x	.189 / 4.8	.378 / 9.6	.055 / 1.4	.413 / 10.5	.181 / 4.6	CC-01
04-CCL250x	.250 / 6.3	.394 / 10.0	.055 / 1.4	.394 / 10.0	.181 / 4.6	CC-01
04-CCL312x	.311 / 7.9	.394 / 10.0	.059 / 1.5	.472 / 12.0	.181 / 4.6	CC-01
04-CCL2375x	.374 / 9.5	.472 / 12.0	.059 / 1.5	.492 / 12.5	.181 / 4.6	CC-01
04-CCL2500x	.500 / 12.7	.472 / 12.0	.059 / 1.5	.598 / 15.2	.181 / 4.6	CC-01
04-CCL2625x	.622 / 15.8	.472 / 12.0	.059 / 1.5	.717 / 18.2	.181 / 4.6	CC-01
04-CCL2750x	.764 / 19.4	.472 / 12.0	.059 / 1.5	.717 / 18.2	.181 / 4.6	CC-01
04-CCL21000x	1.000 / 25.4	.472 / 12.0	.071 / 1.8	.866 / 22.0	.181 / 4.6	CC-01
04-CCL21250x	1.252 / 31.8	.472 / 12.0	.071 / 1.8	1.031 / 26.2	.181 / 4.6	CC-01
04-CCL21500x	1.445 / 36.7	.472 / 12.0	.071 / 1.8	1.181 / 30.0	.181 / 4.6	CC-01

Note 1. Replace "x" in device number with corresponding color code from the "Color Code Chart".