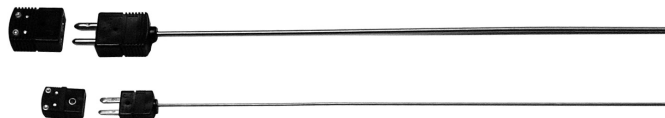


QUICK DISCONNECT TEMPERATURE PROBES AND ACCESSORIES

MODEL TMP - QUICK DISCONNECT TEMPERATURE PROBES



- *MATING FEMALE CONNECTOR (with "write on label") AND PLCM CABLE CLAMP WITH LOCKING CLIP INCLUDED WITH MINIATURE AND STANDARD SIZE PROBES*
- *CHOICE OF 304 SS, INCONEL 600 OR XL SHEATH*
- *XL HIGH TEMPERATURE PROBE AVAILABLE*
- *MEETS OR EXCEEDS SLE AND EN 60584-2: TOLERANCE CLASS 1*
- *COLOR CODED CONNECTOR BODY*
- *WIRE SOLD SEPARATELY*

GENERAL DESCRIPTION

Model TMP Quick Disconnect Thermocouples are available with both miniature and standard size connector termination. These rugged probes feature a variety of calibration types, sheath materials and diameters, and are available with an ungrounded junction. A high temperature probe is also available that can be mated with a standard female universal connector. All temperature probes are rated at the tolerance standard SLE, (Special Limits Of Error), which is ± 2 °C degrees of error.

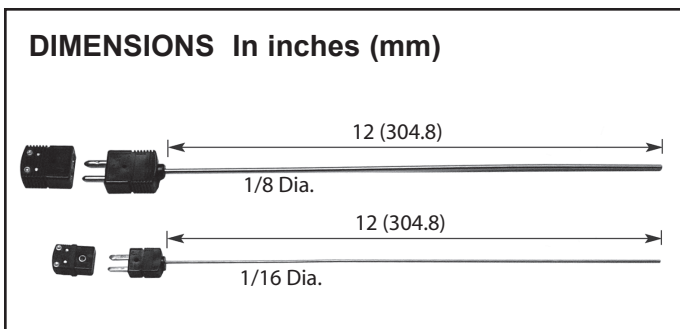
SPECIFICATIONS

1. **SHEATH:** Constructed of 304 stainless steel, Inconel 600, or XL (High Temperature Probe only)
2. **SHEATH DIAMETER:** 1/16" or 1/8"
3. **PROBE LENGTH:** 12" Ungrounded junction.
4. **CONNECTOR BODY:** Glass Filled Nylon, rated to 220 °C.
5. **WIRE:** Sold separately, see accessory details

ORDERING INFORMATION

DESCRIPTION	ANSI TYPE TC	SHEATH MATERIAL	SHEATH DIAMETER INCHES	PART NUMBER
MINI QUICK DISCONNECT TC PROBE W/ MOLDED CONN	J	304SS	1/16	TMPJQD01
	K	304SS	1/16	TMPKQD01
	T	304SS	1/16	TMPTQD01
	E	304SS	1/16	TMPEQD01
	J	INCONEL 600	1/16	TMPJQD02
	K	INCONEL 600	1/16	TMPKQD02
	T	INCONEL 600	1/16	TMPTQD02
	E	INCONEL 600	1/16	TMPEQD02
STANDARD QUICK DISCONNECT TC PROBE W/ MOLDED CONN	J	304SS	1/8	TMPJQD03
	K	304SS	1/8	TMPKQD03
	T	304SS	1/8	TMPTQD03
	E	304SS	1/8	TMPEQD03
	J	INCONEL 600	1/8	TMPJQD04
	K	INCONEL 600	1/8	TMPKQD04
	T	INCONEL 600	1/8	TMPTQD04
	E	INCONEL 600	1/8	TMPEQD04
K	XL		1/8	*TMPKQD05

* XL probes have a very low drift and are for use in high temperature applications up to 1335 °C.



Do not dispose of unit in trash - Recycle

WIRING

MODEL TMWS - THERMOCOUPLE WIRE



GENERAL DESCRIPTION

Thermocouple wire is for use with the Mini and Standard Quick Disconnect Temperature Probes. It is available in a variety of insulation and calibration types, and spool lengths.

SPECIFICATIONS

1. **WIRE LENGTH:** 25 or 100 Foot Spools
2. **INSULATION:** Duplex Insulated
3. **TYPE:** 24 AWG Solid Wire
4. **COLOR CODE:** ANSI color codes

ANSI TYPE	POSITIVE	NEGATIVE	JACKET
J	WHITE	RED	BROWN
K	YELLOW	RED	BROWN
T	BLUE	RED	BROWN
E	PURPLE	RED	BROWN

ORDERING INFORMATION

DESCRIPTION	ANSI TYPE	MAX TEMP		INSULATION TYPE	NOMINAL SIZE (IN.)	PART NUMBER
		°C	°F			
WIRE 100' SPL	J	260	500	NEOFLON PFA	.056 X .093	TMWSJ100
	K	260	500	NEOFLON PFA	.056 X .093	TMWSK100
	T	200	400	NEOFLON PFA	.056 X .092	TMWST100
	E	260	500	NEOFLON PFA	.056 X .092	TMWSE100
	J	370	700	GLASS BRAID	.050 X .085	TMWGJ100
	K	482	900	GLASS BRAID	.050 X .080	TMWGK100
	T	200	400	GLASS BRAID	.050 X .080	TMWGT100
	E	430	800	GLASS BRAID	.050 X .080	TMWGE100
WIRE 25' SPL	J	260	500	NEOFLON PFA	.056 X .093	TMWSJ025
	K	260	500	NEOFLON PFA	.056 X .093	TMWSK025
	T	200	400	NEOFLON PFA	.056 X .092	TMWST025
	E	260	500	NEOFLON PFA	.056 X .092	TMWSE025
	J	370	700	GLASS BRAID	.050 X .085	TMWGJ025
	K	482	900	GLASS BRAID	.050 X .080	TMWGK025
	T	200	400	GLASS BRAID	.050 X .080	TMWGT025
	E	430	800	GLASS BRAID	.050 X .080	TMWGE025



Do not dispose of unit in trash - Recycle

MODEL TMPCB - RETRACTABLE SENSOR CABLES

GENERAL DESCRIPTION

The retractable sensor cables are color coded and for use with thermocouples. The cables have a superior jacket construction, employing the latest in jacketing material: TPE (thermoplastic elastomer), a unique family of thermoplastics which exhibits characteristics previously found only in rubber compounds. TPE is extremely tough and flexible, and has excellent abrasion resistance. This special construction technique yields an expansion rate of up to 500%. These retractable cables are for use with electronic type indicators, either panel, handheld or bench type models.

- COMPATIBLE WITH J, K, T AND E THERMOCOUPLE CALIBRATIONS
- EXPANSION RATIO UP TO 500% - 1 Ft (300 mm) OF CABLE STRETCHES TO 5 Ft (1500 mm)
- IDEAL FOR USE WITH HANDHELD AND BENCH STAND ELECTRONIC INDICATORS
- BARE WIRE ENDS

ORDERING INFORMATION

DESCRIPTION	TYPE	JACKET	+WIRE	-WIRE	PART NUMBER
2 FT RETRACT CABLE	J	BLACK	WHITE	RED	TMPCBS01
	K	YELLOW	YELLOW	RED	TMPCBS02
	T	BLUE	BLUE	RED	TMPCBS03
	E	PURPLE	PURPLE	RED	TMPCBS04

SPECIFICATIONS

1. **INSULATION:** TPE Thermoplastic Elastomer outer jacket
2. **INNER CONDUCTORS:** Neoflon PFA
3. **CALIBRATIONS:** J, K, T, E
4. **THERMOCOUPLE WIRE CONFORMITY:** SLE Standard limit of error per ANSI MC 96.1 (1975)
5. **TEMPERATURE RATING:** -30 to 105 °C (-22 to 220 °F)
6. **CONSTRUCTION:** 28 AWG stranded wire (7 strand x 36 gauge)
7. **LENGTH:** 2 feet (600 mm)



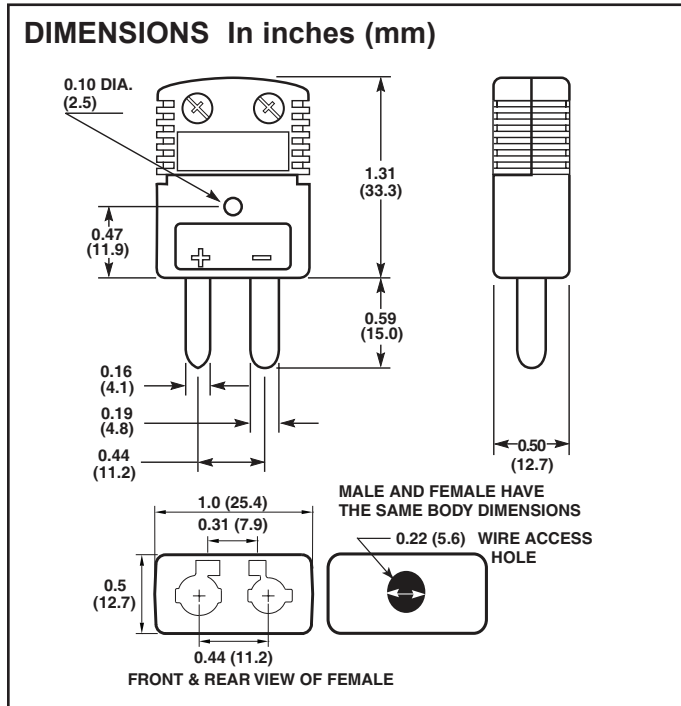
Do not dispose of unit in trash - Recycle

ACCESSORIES

MODEL T MPCN - QUICK DISCONNECT STANDARD CONNECTORS

GENERAL DESCRIPTION

Standard Connectors are for use with the Standard Quick Disconnect TC Probes. They are available in both male and female termination, and include a "write on label" for easy identification. The female standard connector is a universal connector, meaning it can be used to terminate male versions of both the standard and miniature connector.



SPECIFICATIONS

1. **CONNECTOR BODY MATERIAL:** Glass Filled Nylon, for temperature ranges of -29 to 220 °C (-20 to 428 °F).
2. **CONNECTOR BODY COLOR:** ANSI color coded
3. **WIRE GAGE:** Accepts stranded or solid wire up to 14 AWG
4. **WIRE TERMINATION:** Combination Phillips/Slot Screws

ORDERING INFORMATION

DESCRIPTION	TYPE	TERMINATION	PART NUMBER
STANDARD CONNECTOR	K	MALE	TMPCNS01
		FEMALE	TMPCNS02
	T	MALE	TMPCNS03
		FEMALE	TMPCNS04
	E	MALE	TMPCNS05
		FEMALE	TMPCNS06
	J	MALE	TMPCNS07
		FEMALE	TMPCNS08

Covered by US and Foreign Patents.

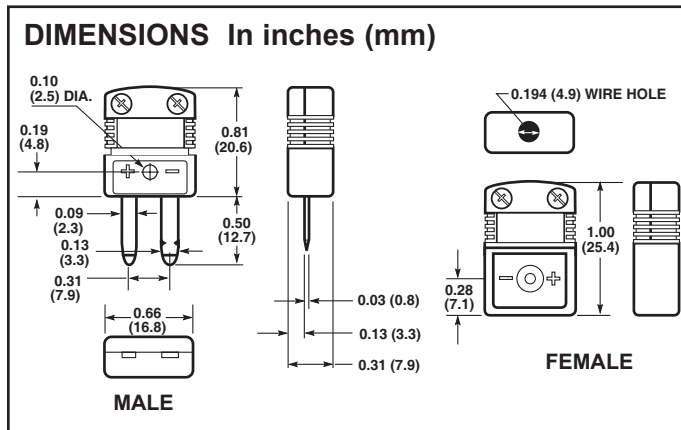


Do not dispose of unit in trash - Recycle

MODEL T MPCN - QUICK DISCONNECT MINIATURE CONNECTORS

GENERAL DESCRIPTION

Miniature Connectors are for use with the Miniature Quick Disconnect TC Probes. They are available in both male and female termination, and include a "write on label" for easy identification.



SPECIFICATIONS

1. **CONNECTOR BODY MATERIAL:** Glass Filled Nylon, for temperature ranges of -29 to 220 °C (-20 to 428 °F).
2. **CONNECTOR BODY COLOR:** ANSI color coded
3. **WIRE GAGE:** Accepts stranded or solid wire up to 20 AWG
4. **WIRE TERMINATION:** Combination Phillips/Slot Screws

ORDERING INFORMATION

DESCRIPTION	TYPE	TERMINATION	PART NUMBER
MINIATURE CONNECTOR	K	MALE	TMPCNM01
		FEMALE	TMPCNM02
	T	MALE	TMPCNM03
		FEMALE	TMPCNM04
	E	MALE	TMPCNM05
		FEMALE	TMPCNM06
	J	MALE	TMPCNM07
		FEMALE	TMPCNM08

Covered by US and Foreign Patents.



Do not dispose of unit in trash - Recycle