



H721xC Series & H921



H721HC



H921



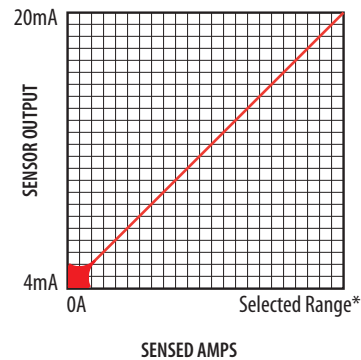
SPECIFICATIONS

Sensor Power	30 mA (max) @ 12 to 30 Vdc
Insulation Class	600 Vac RMS (UL), 300 Vac RMS (CE1)
Frequency Range	50/60 Hz
Temperature Range	-15 to 60 °C (5 to 140 °F)
Humidity Range	10 to 90% RH non-condensing
Accuracy	±2% F.S. from 10% to 100% of selected range, but not less than ±0.4 A
Response Time	2 sec.
Terminal Block Wire Size	24 to 14 AWG (0.2 to 2.1 mm2)
Terminal Block Torque	3.5 to 4.4 in-lbs (0.4 to 0.5 N-m)
Agency Approvals	UL 508 open device listing; CE: EN61010-1, CAT III, pollution degree 2, basic insulation
Limited Warranty	5 years

1. The CE mark indicates RoHS2 compliance. Please refer to the CE Declaration of Conformity for additional details.

EXAMPLE LINEAR OUTPUT

Scale software as shown



*Factory calibrated ranges selected with the amperage range switch

LOAD TRENDING WITH 4 TO 20 MA OUTPUT

DESCRIPTION

The Hawkeye 721LC, 721HC, and 921 provide accurate load trending information with a proportional 4-20mA output signal. Preset slide-switches provide easy field setup of sensed amperage range with no need for jumpers.

APPLICATIONS

- Load trending
- Motor control
- Fan/Pump Status

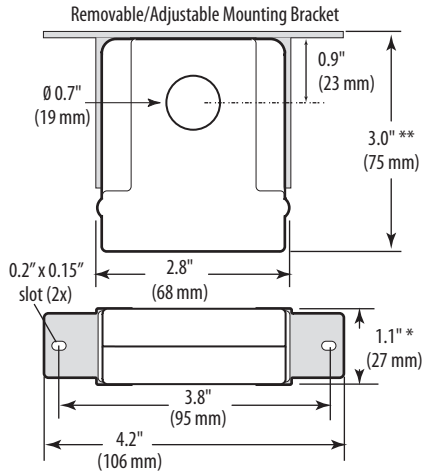
FEATURES

- Power the sensor, and receive the signal with only two wires...lower cabling and commissioning costs than with traditional 3-wire sensors
- Self-gripping, split-core design for fast retrofit installation...no need to remove conductor (H921)
- Economical solid-core features adjustable bracket for easy alignment (H721 Series)
- Factory calibrated switch-selectable ranges for high resolution and installation ease
- Three field-selectable ranges per unit...fewer versions to choose from, stock, and install
- Removable mounting bracket for installation flexibility
- Bracket on H921 can be installed in three different configurations...added flexibility
- 100% solid state, no moving parts to fail
- 5-year warranty

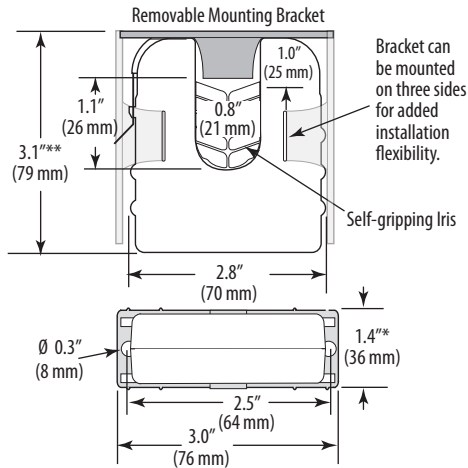


DIMENSIONAL DRAWINGS

H721LC/H721HC

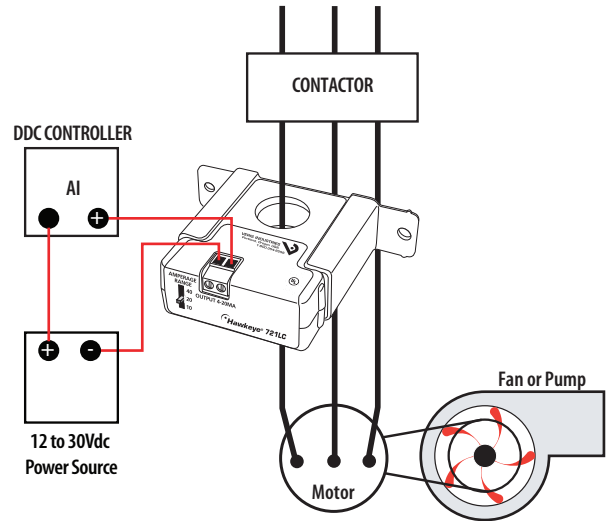


H921

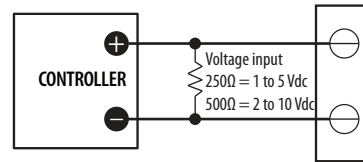


WIRING DIAGRAMS

Monitoring Fan /Pump Motors for Positive Proof of Flow



Voltage Output



* Terminal block may extend up to 1/8" over the height dimensions shown.

** Slide switch may extend up to 1/4" over the height dimensions shown.

ORDERING INFORMATION



MODEL	AMPERAGE RANGE	SENSOR OUTPUT	HOUSING	UL	CE
H721LC	0 to 10/20/40 A	4 to 20 mA DC	Solid-Core	●	●
H721HC	0 to 50/100/200 A		Solid-Core	●	●
H921	0 to 30/60/120 A		Split-Core	● ¹	●

1. Listed for use on 75 °C insulated conductors.

Note: For 10 to 80 Hz applications, see the H720 VFD sensor.

ACCESSORIES

DIN Rail Clip Set (AH01)

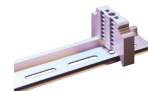
DIN Rail (AV01) and DIN Stop Clip (AV02)



AH01



AV01



AV02