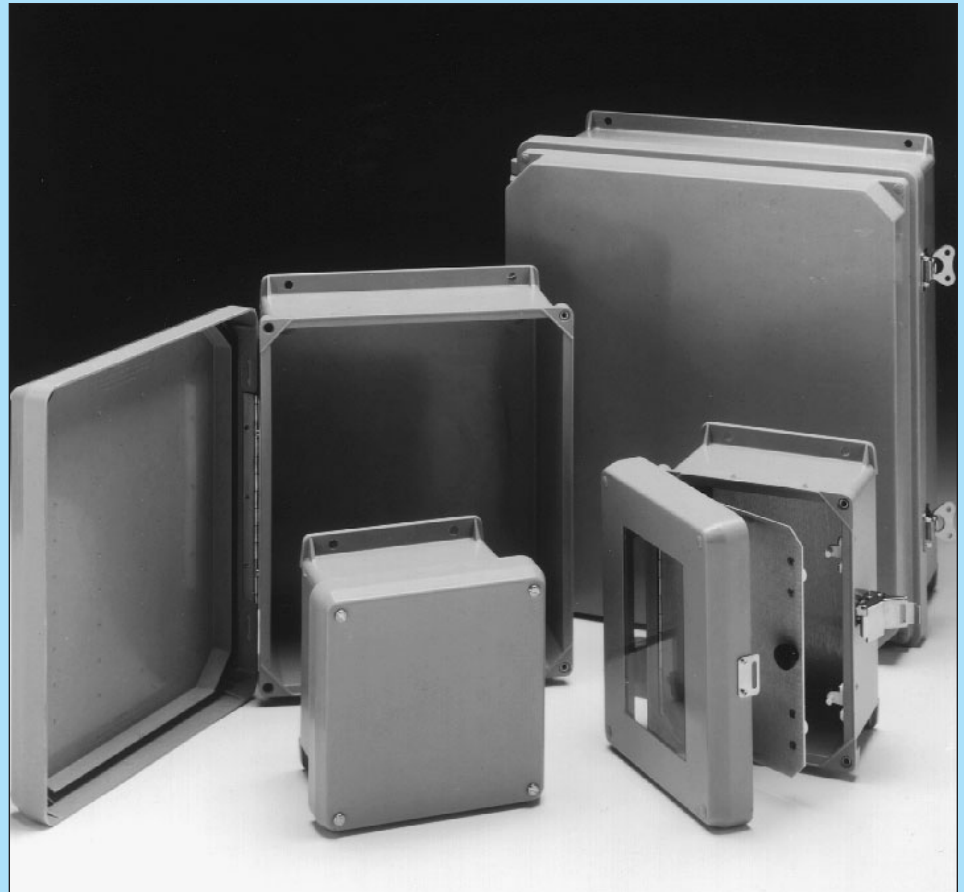


VJ SERIES

Features

- The VJ series is designed in accordance with the Joint Industrial Council (JIC) - USA.
- The VJ range consists of seven box sizes in several versions:
 - with screw cover
 - with stainless steel piano hinge
 - with non-metallic hinges
 - with standard or padlockable latch
- The bases and covers are made of gray (RAL 7036), hot molded, fiberglass reinforced polyester, dyed in mass. They come complete with UL/CSA-label and 4 threaded inserts for a mounting plate.
- Cover screw holes in corners are outside of gasketed area.
- Continuous gaskets made of polyurethane foam guarantee optimal integrity.
- All mounting hardware is made of stainless steel.
- The enclosure can be readily worked with conventional tools, such as drills, mills, saws, punches, etc...
- Versatile service conditions: polyester enclosures can withstand continuous temperatures up to -58°F to +302°F (-50°C to 150°C) and momentary temperatures to +392°F (200°C)
- The VJ enclosures without latches provide optimum security to both operators and equipment because they feature double insulation and protection degree **IP66-11** according to IEC 529.
- VJ enclosures are maintenance free and corrosion resistant.
- VJ enclosures are UL listed, as per UL Standard 508 type 3, 3R, 4, 4X, 12 and 13. They are also CSA approved as per C22.2 No. 94.

*** For static load on back panels consult the factory.**



VJ SERIES

Application

Designed for use as electrical junction boxes in highly corrosive environments including oil refineries and chemical processing plants, waste water treatment and marine installations, electroplating plants, agricultural environments and food or animal processing plants. These enclosures are also suitable as instrument housings in both indoor and outdoor applications. Window enclosure provides easy visual inspection of interior components.

Standards

IEC 439-1
 IEC 529 - Rated IP66-11
 EN 50298
 CSA Certified per C22.2 No. 94

Approvals

-  UL 508 NEMA 3, 3R, 4, 4X, 12 & 13
-  CSA 3, 3R, 4, 4X, 12 & 13
-  AS Australian Standards 3131-1991
 EExeII, INTEX 84.102.378 U
-  LLOYD'S Register of Shipping
 BASEEFA
-  KEMA NETHERLANDS
-  CEBEC BELGIUM

FRP NEMA rating 3, 3R, 4, 4X, 12 & 13 VJ Series with 2 Captive Stainless Steel Cover Screws and a Stainless Steel Piano Hinge



FEATURES

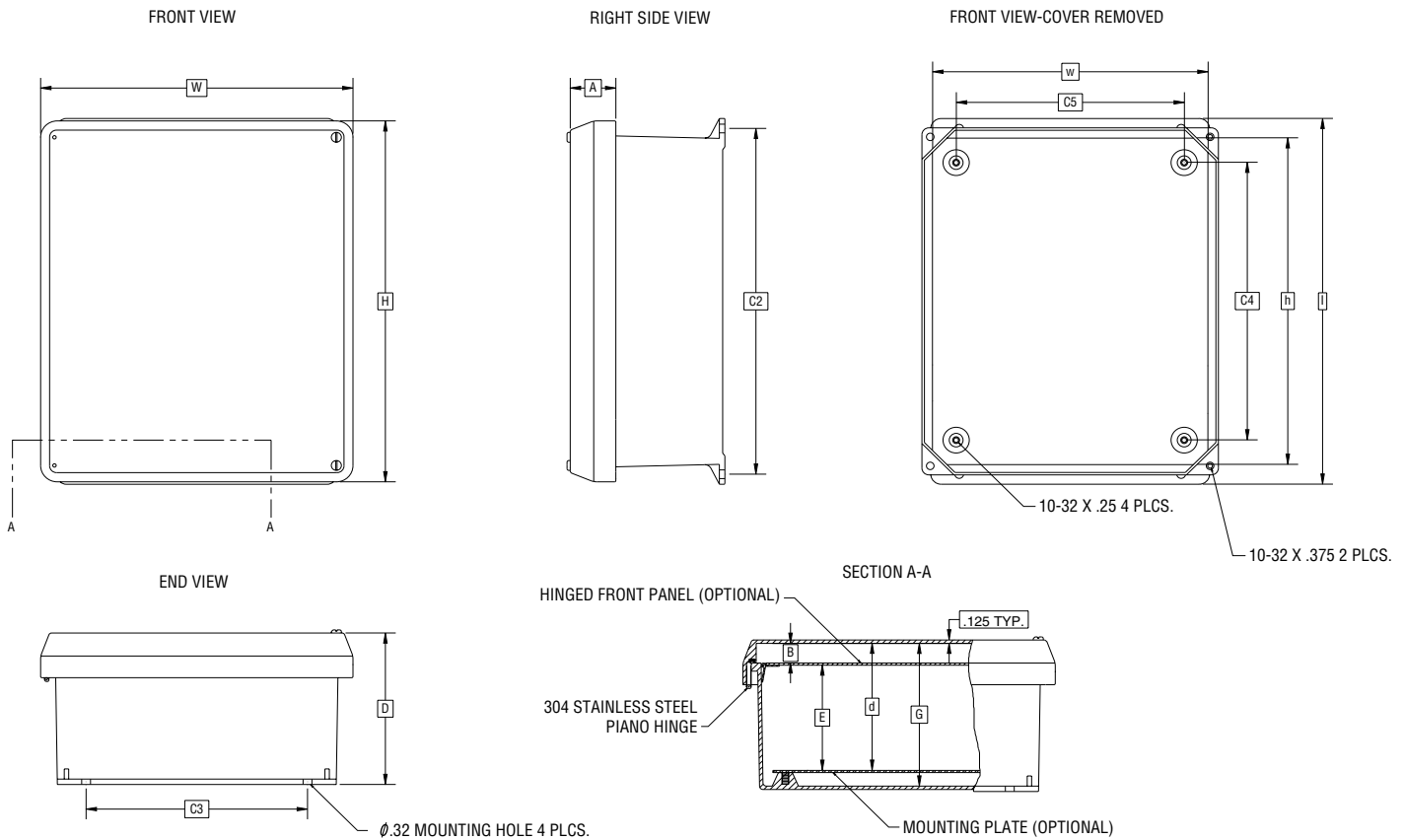
- All VJ Series enclosures are designed to meet the Joint Industrial Council (JIC) standards in the United States.
- VJ's are made from corrosion resistant hot compression molded fiberglass reinforced polyester and do not contain halogens.
- The VJ Series "HW" enclosures include two stainless steel captive screws and a stainless steel piano hinge that secure the cover to the base. Two threaded brass inserts contained in the base secure the cover screws, rivets connect the hinge to the cover and self-tapping screws connect the hinge to the base.
- Seven sizes are available from 6" x 6" to 18" x 16"
- Vynckier's VJ enclosures are capable of withstanding continuous temperatures from -58°F (-50°C) up to 302°F (150°C).
- VJ enclosures provide protection for equipment and operators from indirect electrical contact.

- All VJ enclosures are UL listed per UL Standard 508 for NEMA 3, 3R, 4, 4X, 12 & 13; CSA Certified per Standard C22.2-0, 0.4, 0.7, 0.6, 94 Type 3, 3R, 4, 4X, 12 & 13.

OPTIONAL ACCESSORIES

- Molded Instrument Windows
- Aluminum, Painted Steel or non-metallic Mounting Plates
- Aluminum Hinged Front Plates
- Aluminum Front Plates with quarter turn brackets
- MEDV Air Vents
- Backpanel stand-offs in four different lengths

Part Numbers Hinged Screw Cover	Outside Dimension			Inside Dimension			Weight	Mounting Plates				Front Panels	
	H	W	D	h	w	d		Aluminum	Steel	Non-Metallic	Dimensions	Plain	Hinged
VJ606HW (mm)	7.31 (186)	7.31 (186)	4.96 (126)	6.00 (152)	6.00 (152)	4.10 (104)	2.8 lb 1.27 kg	MP606A	MP606S	MP606N	4.88 x 4.88 (124 x 124)	VFP606A	VFPH606A
VJ806HW (mm)	9.30 (236)	7.31 (186)	4.96 (126)	8.00 (203)	6.00 (152)	4.10 (104)	3.8 lb 1.72 kg	MP806A	MP806S	MP806N	6.75 x 4.88 (171 x 124)	VFP806A	VFPH806A
VJ1008HW (mm)	11.31 (287)	9.31 (236)	5.43 (138)	10.00 (254)	8.00 (203)	4.59 (117)	4.8 lb 2.17 kg	MP1008A	MP1008S	MP1008N	8.75 x 6.88 (222 x 175)	VFP1008A	VFPH1008A
VJ1210HW (mm)	13.30 (338)	11.29 (287)	5.58 (142)	12.00 (305)	10.00 (254)	4.74 (120)	6.3 lb 2.85 kg	MP1210A	MP1210S	MP1210N	10.50 x 8.88 (267 x 226)	VFP1210A	VFPH1210A
VJ1412HW (mm)	15.32 (389)	13.30 (338)	6.70 (170)	14.00 (356)	12.00 (305)	5.74 (146)	8.6 lb 3.90 kg	MP1412A	MP1412S	MP1412N	12.75 x 10.88 (324 x 276)	VFP1412A	VFPH1412A
VJ1614HW (mm)	17.31 (440)	15.30 (389)	6.70 (170)	16.00 (406)	14.00 (356)	5.74 (146)	10.6 lb 4.80 kg	MP1614A	MP1614S	MP1614N	14.75 x 12.88 (375 x 327)	VFP1614A	VFPH1614A
VJ1816HW (mm)	19.31 (490)	17.31 (440)	9.58 (243)	18.00 (457)	16.00 (406)	8.62 (219)	14.0 lb 6.34 kg	MP1816A	MP1816S	MP1816N	16.75 x 14.88 (426 x 378)	VFP1816A	VFPH1816A



Part Numbers Hinged Screw Cover	Outside Dimension			Inside Dimension			Dimensions									
	H	W	D	h	w	d	A	B	C1	C2	C3	C4	C5	E	G	I
VJ606HW (mm)	7.31 (186)	7.31 (186)	4.96 (126)	6.00 (152)	6.00 (152)	4.10 (104)	1.38 35	0.50 13	-	6.77 172	4.01 102	4.26 108	4.25 108	3.70 94	4.64 118	7.52 191
VJ806HW (mm)	9.30 (236)	7.31 (186)	4.96 (126)	8.00 (203)	6.00 (152)	4.10 (104)	1.77 45	1.65 42	-	8.74 222	4.01 102	6.26 159	4.25 108	3.70 94	4.64 118	9.50 241
VJ1008HW (mm)	11.31 (287)	9.31 (236)	5.43 (138)	10.00 (254)	8.00 (203)	4.59 (117)	1.77 45	1.65 42	-	10.75 273	6.02 153	8.25 210	6.24 158	3.92 100	5.12 130	11.52 293
VJ1210HW (mm)	13.30 (338)	11.29 (287)	5.58 (142)	12.00 (305)	10.00 (254)	4.74 (120)	1.77 45	1.65 42	-	12.75 324	8.01 203	10.25 260	8.25 210	4.10 104	5.24 133	13.51 343
VJ1412HW (mm)	15.32 (389)	13.30 (338)	6.70 (170)	14.00 (356)	12.00 (305)	5.74 (146)	1.77 45	1.65 42	-	14.75 375	10.00 254	12.25 311	10.24 260	4.98 126	6.38 162	15.50 394
VJ1614HW (mm)	17.31 (440)	15.30 (389)	6.70 (170)	16.00 (406)	14.00 (356)	5.74 (146)	1.77 45	1.65 42	-	16.73 425	12.00 305	14.25 362	12.24 311	4.98 126	6.38 162	17.52 445
VJ1816HW (mm)	19.31 (490)	17.31 (440)	9.58 (243)	18.00 (457)	16.00 (406)	8.62 (219)	1.77 45	1.65 42	-	18.74 476	12.00 305	16.25 413	14.25 362	7.86 200	9.25 235	19.50 495