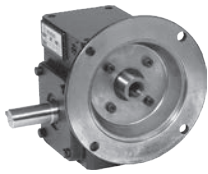
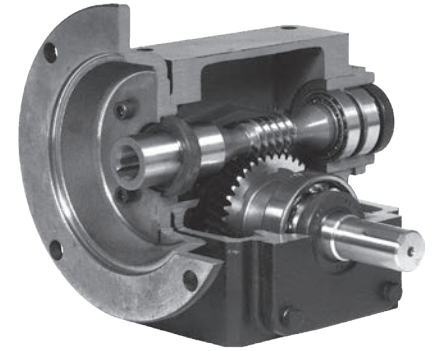


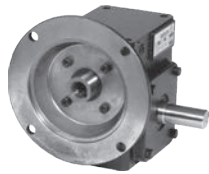
HD Cast Iron Worm Gear Reducers: Overview

Product Specifications

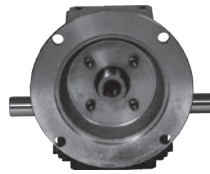
- » 5:1 - 60:1 ratios
- » Box sizes (Center Distances of 1.33" to 3.25")
- » One piece # FC20 all cast iron housing
- » Embedded double-lip oil seals
- » Double bearings used on both shaft ends
- » Anti-rust primer applied outside gearbox before top painting
- » S45C carbon steel shafts
- » AIBC3 aluminum - bronze gear
- » Interior oil channel guide directly and constantly lube bearings
- » Tapered roller bearing on output and input shafts
- » All angle - radiused mounting holes
- » Air dry special black paint
- » Shaft sleeve protects all shafts
- » Compact design
- » Units filled with Mobil #SHC634 synthetic oil for "A" position mounting
- » Adjust oil level for alternative mounting positions
- » Universally interchangeable



Flange Input
Shaft Output
Left Hand Output



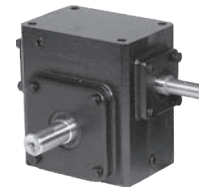
Flange Input
Shaft Output
Right Hand Output



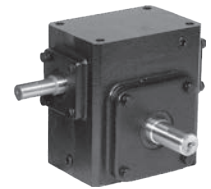
Flange Input
Shaft Output
Double End Output



Flange Input
Hollow Bore Output



Shaft Input
Shaft Output
Left Hand Output



Shaft Input
Shaft Output
Right Hand Output

HD Cast Iron Worm Gear Reducers: How To Order

» Please use the following table and nomenclature for ordering WorldWide Electric Worm Gear Reducers

| Style | Box Size | Ratio | Output | Motor Frame* |
|------------------|----------|---------|-----------------|------------------------------|
| S - Shaft Input | 133 | 5:1 | L - Left Hand | 56C |
| F - Flange Input | 154 | 10:1 | R - Right Hand | 145TC |
| | 175 | 15:1 | DE - Double End | 182/4TC |
| | 206 | 20:1 | H - Hollow Bore | |
| | 237 | 30:1 | | |
| | 262 | 40:1 | | |
| | 325 | 50:1 | | |
| | | 60:1 | | *Leave Blank for Shaft Input |
| HdR ___ | ___ | ___/___ | ___ | ___ |

HD Cast Iron Worm Gear Reducers: Mechanical Ratings

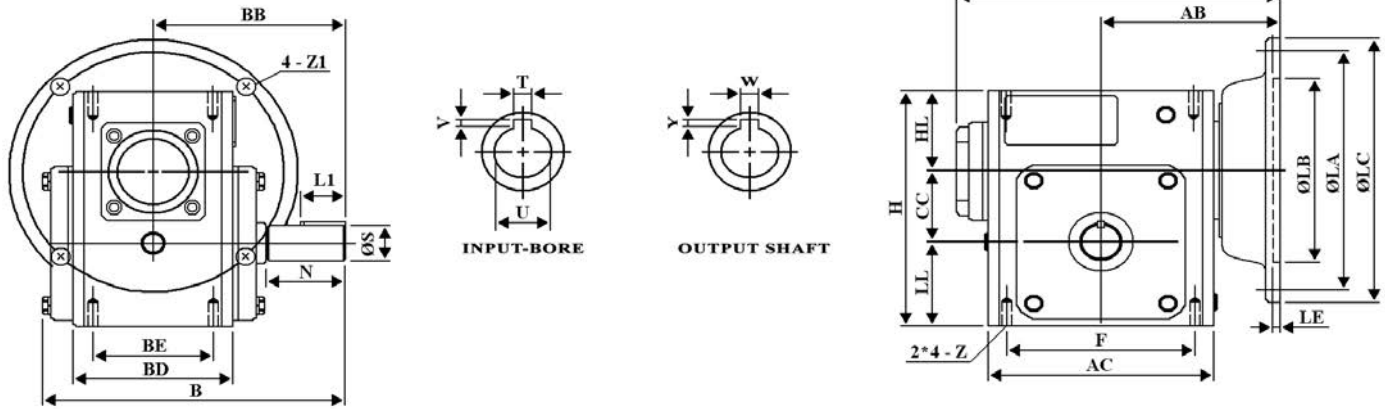
| Input Speed | | 1750 RPM | | | | | | | | | |
|-------------|-------|---------------------|--------------------------|-----------|----------|--------------------------|-----------|----------------|---------------|---------------------------------|----------------------------------|
| Box Size | Ratio | Mechanical (1.0 SF) | | | Thermal | | | Efficiency (%) | O.H.L. (lbs.) | Output Shaft Thrust Load (lbs.) | Backlash (ft.) (Angular Minutes) |
| | | Input HP | Output Torque (lbs. in.) | Output HP | Input HP | Output Torque (lbs. in.) | Output HP | | | | |
| 133 | 5:1 | 1.15 | 209 | 1.05 | 1.21 | 221 | 1.11 | 91 | 300 | 300 | 27 |
| | 10:1 | 0.77 | 247 | 0.66 | 0.75 | 240 | 0.64 | 86 | | | |
| | 15:1 | 0.63 | 283 | 0.5 | 0.53 | 238 | 0.42 | 80 | | | |
| | 20:1 | 0.5 | 276 | 0.39 | 0.48 | 266 | 0.38 | 78 | | | |
| | 30:1 | 0.47 | 336 | 0.31 | 0.31 | 221 | 0.20 | 66 | | | |
| | 40:1 | 0.38 | 356 | 0.25 | 0.30 | 282 | 0.19 | 65 | | | |
| | 60:1 | 0.29 | 312 | 0.17 | 0.26 | 282 | 0.15 | 59 | | | |
| 154 | 5:1 | 2.06 | 345 | 1.90 | 2.04 | 341 | 1.88 | 92 | 450 | 400 | 23 |
| | 10:1 | 1.29 | 411 | 1.13 | 1.03 | 327 | 0.9 | 88 | | | |
| | 15:1 | 1.11 | 518 | 0.95 | 0.78 | 363 | 0.67 | 86 | | | |
| | 20:1 | 0.86 | 509 | 0.70 | 0.65 | 384 | 0.53 | 81 | | | |
| | 30:1 | 0.62 | 504 | 0.46 | 0.48 | 388 | 0.36 | 74 | | | |
| | 40:1 | 0.51 | 503 | 0.35 | 0.4 | 397 | 0.27 | 68 | | | |
| | 60:1 | 0.47 | 565 | 0.31 | 0.34 | 407 | 0.22 | 66 | | | |
| 175 | 5:1 | 2.83 | 499 | 2.62 | 2.28 | 402 | 2.11 | 93 | 650 | 550 | 20 |
| | 10:1 | 1.57 | 515 | 1.38 | 1.36 | 445 | 1.19 | 88 | | | |
| | 15:1 | 1.24 | 554 | 1.06 | 1.13 | 506 | 0.96 | 85 | | | |
| | 20:1 | 1.02 | 596 | 0.85 | 0.98 | 572 | 0.81 | 83 | | | |
| | 30:1 | 0.78 | 666 | 0.56 | 0.69 | 533 | 0.50 | 72 | | | |
| | 40:1 | 0.74 | 714 | 0.49 | 0.59 | 558 | 0.39 | 66 | | | |
| | 60:1 | 0.5 | 575 | 0.32 | 0.52 | 590 | 0.33 | 64 | | | |
| 206 | 5:1 | 3.62 | 685 | 3.33 | 2.57 | 486 | 2.36 | 92 | 700 | 750 | 17 |
| | 10:1 | 2.77 | 935 | 2.5 | 2.10 | 708 | 1.89 | 90 | | | |
| | 15:1 | 2.09 | 1002 | 1.78 | 1.40 | 673 | 1.20 | 85 | | | |
| | 20:1 | 1.57 | 914 | 1.29 | 1.17 | 681 | 0.96 | 82 | | | |
| | 30:1 | 1.65 | 1310 | 1.21 | 0.76 | 606 | 0.56 | 73 | | | |
| | 40:1 | 1.09 | 1120 | 0.77 | 0.71 | 726 | 0.50 | 71 | | | |
| | 60:1 | 0.74 | 830 | 0.46 | 0.54 | 606 | 0.33 | 62 | | | |
| 237 | 5:1 | 4.57 | 798 | 4.02 | 3.56 | 630 | 3.31 | 93 | 900 | 900 | 17 |
| | 10:1 | 3.47 | 1158 | 3.09 | 2.24 | 746 | 1.99 | 89 | | | |
| | 15:1 | 2.64 | 1249 | 2.22 | 1.55 | 732 | 1.30 | 84 | | | |
| | 20:1 | 2.06 | 1195 | 1.69 | 1.36 | 791 | 1.12 | 82 | | | |
| | 30:1 | 1.82 | 1507 | 1.39 | 1.02 | 847 | 0.78 | 76 | | | |
| | 40:1 | 1.45 | 1483 | 1.02 | 0.83 | 845 | 0.58 | 71 | | | |
| | 60:1 | 1.32 | 1527 | 0.84 | 0.67 | 779 | 0.43 | 64 | | | |
| 262 | 5:1 | 5.24 | 924 | 4.86 | 4.32 | 761 | 4.00 | 93 | 1000 | 1000 | 17 |
| | 10:1 | 4.17 | 1445 | 3.74 | 3.06 | 1061 | 2.75 | 90 | | | |
| | 15:1 | 3.22 | 1577 | 2.81 | 2.47 | 1212 | 2.16 | 87 | | | |
| | 20:1 | 2.67 | 1563 | 2.21 | 1.84 | 1078 | 1.53 | 83 | | | |
| | 30:1 | 2.22 | 1827 | 1.68 | 1.30 | 1072 | 0.99 | 76 | | | |
| | 40:1 | 1.85 | 1919 | 1.32 | 1.11 | 1153 | 0.80 | 72 | | | |
| | 60:1 | 1.37 | 1658 | 0.92 | 0.95 | 1152 | 0.64 | 67 | | | |
| 325 | 5:1 | 9.72 | 1724 | 9.06 | 6.93 | 1228 | 6.46 | 93 | 1200 | 1100 | 15 |
| | 10:1 | 7.19 | 2419 | 6.46 | 4.63 | 1558 | 4.16 | 90 | | | |
| | 15:1 | 5.45 | 2611 | 4.65 | 3.19 | 1527 | 2.72 | 85 | | | |
| | 20:1 | 4.74 | 2875 | 4.07 | 3.31 | 2011 | 2.85 | 86 | | | |
| | 30:1 | 3.66 | 3045 | 2.8 | 2.00 | 1661 | 1.53 | 77 | | | |
| | 40:1 | 3.35 | 3692 | 2.55 | 1.96 | 2156 | 1.49 | 76 | | | |
| | 60:1 | 2.49 | 3413 | 1.88 | 1.92 | 2637 | 1.46 | 76 | | | |
| | 60:1 | 2.03 | 3127 | 1.44 | 1.61 | 2476 | 1.14 | 71 | | | |

HD Cast Iron Worm Gear Reducers: Flange Input, Shaft Output

2
HEAVY DUTY
CAST IRON REDUCERS

| Ratio | Output RPM @ 1800 RPM Input | WCD Center (in.) | NEMA Motor Frame | Approx. Wt. (lbs.) | Model Number Left Hand Output | Model Number Right Hand Output | Model Number Double End Output |
|-------|-----------------------------|------------------|------------------------|------------------------|-------------------------------|--------------------------------|--------------------------------|
| 5:1 | 350 | 1.33 | 56C | 17 | HdRF133-5/1-L-56C | HdRF133-5/1-R-56C | HdRF133-5/1-DE-56C |
| | | 1.54 | 56C | 22 | --- | HdRF154-5/1-R-56C | HdRF154-5/1-DE-56C |
| | | 1.75 | 56C | 27 | HdRF175-5/1-L-56C | HdRF175-5/1-R-56C | HdRF175-5/1-DE-56C |
| | | 2.06 | 56C | 32 | HdRF206-5/1-L-56C | HdRF206-5/1-R-56C | HdRF206-5/1-DE-56C |
| | | 2.37 | 56C | 38 | HdRF237-5/1-L-56C | HdRF237-5/1-R-56C | HdRF237-5/1-DE-56C |
| | | 2.62 | 182/4TC | 53 | HdRF262-5/1-L-182/4TC | HdRF262-5/1-R-182/4TC | HdRF262-5/1-DE-182/4TC |
| | | 3.25 | 182/4TC | 90 | HdRF325-5/1-L-182/4TC | HdRF325-5/1-R-182/4TC | HdRF325-5/1-DE-182/4TC |
| 10:1 | 175 | 1.33 | 56C | 17 | HdRF133-10/1-L-56C | HdRF133-10/1-R-56C | HdRF133-10/1-DE-56C |
| | | 1.54 | 56C | 22 | HdRF154-10/1-L-56C | HdRF154-10/1-R-56C | HdRF154-10/1-DE-56C |
| | | 1.75 | 56C | 27 | HdRF175-10/1-L-56C | HdRF175-10/1-R-56C | HdRF175-10/1-DE-56C |
| | | 2.06 | 56C | 32 | HdRF206-10/1-L-56C | HdRF206-10/1-R-56C | HdRF206-10/1-DE-56C |
| | | 2.37 | 56C | 38 | HdRF237-10/1-L-56C | HdRF237-10/1-R-56C | HdRF237-10/1-DE-56C |
| | | 2.37 | 145TC | 53 | HdRF237-10/1-L-145TC | HdRF237-10/1-R-145TC | HdRF237-10/1-145TC |
| | | 2.62 | 182/4TC | 53 | HdRF262-10/1-L-182/4TC | HdRF262-10/1-R-182/4TC | HdRF262-10/1-DE-182/4TC |
| 3.25 | 182/4TC | 90 | HdRF325-10/1-L-182/4TC | HdRF325-10/1-R-182/4TC | HdRF325-10/1-DE-182/4TC | | |
| 15:1 | 120 | 1.33 | 56C | 17 | HdRF133-15/1-L-56C | HdRF133-15/1-R-56C | HdRF133-15/1-DE-56C |
| | | 1.54 | 56C | 22 | HdRF154-15/1-L-56C | HdRF154-15/1-R-56C | HdRF154-15/1-DE-56C |
| | | 1.75 | 56C | 27 | HdRF175-15/1-L-56C | HdRF175-15/1-R-56C | HdRF175-15/1-DE-56C |
| | | 2.06 | 56C | 32 | HdRF206-15/1-L-56C | HdRF206-15/1-R-56C | HdRF206-15/1-DE-56C |
| | | 2.37 | 56C | 38 | HdRF237-15/1-L-56C | HdRF237-15/1-R-56C | HdRF237-15/1-DE-56C |
| | | 2.62 | 56C | 53 | HdRF262-15/1-L-56C | HdRF262-15/1-R-56C | HdRF262-15/1-DE-56C |
| | | 2.62 | 145TC | 53 | HdRF262-15/1-L-145TC | HdRF262-15/1-R-145TC | HdRF262-15/1-DE-145TC |
| 3.25 | 182/4TC | 90 | HdRF325-15/1-L-182/4TC | HdRF325-15/1-R-182/4TC | HdRF325-15/1-DE-182/4TC | | |
| 20:1 | 88 | 1.33 | 56C | 17 | HdRF133-20/1-L-56C | HdRF133-20/1-R-56C | HdRF133-20/1-DE-56C |
| | | 1.54 | 56C | 22 | HdRF154-20/1-L-56C | HdRF154-20/1-R-56C | HdRF154-20/1-DE-56C |
| | | 1.75 | 56C | 27 | HdRF175-20/1-L-56C | HdRF175-20/1-R-56C | HdRF175-20/1-DE-56C |
| | | 2.06 | 56C | 32 | HdRF206-20/1-L-56C | HdRF206-20/1-R-56C | HdRF206-20/1-DE-56C |
| | | 2.37 | 56C | 38 | HdRF237-20/1-L-56C | HdRF237-20/1-R-56C | HdRF237-20/1-DE-56C |
| | | 2.62 | 56C | 53 | HdRF262-20/1-L-56C | HdRF262-20/1-R-56C | HdRF262-20/1-DE-56C |
| | | 2.62 | 145TC | 53 | HdRF262-20/1-L-145TC | HdRF262-20/1-R-145TC | HdRF262-20/1-DE-145TC |
| 3.25 | 182/4TC | 90 | HdRF325-20/1-L-182/4TC | HdRF325-20/1-R-182/4TC | HdRF325-20/1-DE-182/4TC | | |
| 30:1 | 58 | 1.33 | 56C | 17 | HdRF133-30/1-L-56C | HdRF133-30/1-R-56C | HdRF133-30/1-DE-56C |
| | | 1.54 | 56C | 22 | HdRF154-30/1-L-56C | HdRF154-30/1-R-56C | HdRF154-30/1-DE-56C |
| | | 1.75 | 56C | 27 | HdRF175-30/1-L-56C | HdRF175-30/1-R-56C | HdRF175-30/1-DE-56C |
| | | 2.06 | 56C | 32 | HdRF206-30/1-L-56C | HdRF206-30/1-R-56C | HdRF206-30/1-DE-56C |
| | | 2.37 | 56C | 38 | HdRF237-30/1-L-56C | HdRF237-30/1-R-56C | HdRF237-30/1-DE-56C |
| | | 2.62 | 56C | 50 | HdRF262-30/1-L-56C | HdRF262-30/1-R-56C | HdRF262-30/1-DE-56C |
| | | 2.62 | 145TC | 50 | HdRF262-30/1-L-145TC | HdRF262-30/1-R-145TC | HdRF262-30/1-DE-145TC |
| 3.25 | 56C | 87 | HdRF325-30/1-L-56C | HdRF325-30/1-R-56C | HdRF325-30/1-DE-56C | | |
| 3.25 | 145TC | 87 | HdRF325-30/1-L-145TC | HdRF325-30/1-R-145TC | HdRF325-30/1-DE-145TC | | |
| 3.25 | 182/4TC | 90 | HdRF325-30/1-L-182/4TC | HdRF325-30/1-R-182/4TC | --- | | |
| 40:1 | 44 | 1.33 | 56C | 17 | HdRF133-40/1-L-56C | HdRF133-40/1-R-56C | HdRF133-40/1-DE-56C |
| | | 1.54 | 56C | 22 | HdRF154-40/1-L-56C | HdRF154-40/1-R-56C | HdRF154-40/1-DE-56C |
| | | 1.75 | 56C | 27 | HdRF175-40/1-L-56C | HdRF175-40/1-R-56C | HdRF175-40/1-DE-56C |
| | | 2.06 | 56C | 32 | HdRF206-40/1-L-56C | HdRF206-40/1-R-56C | HdRF206-40/1-DE-56C |
| | | 2.37 | 56C | 38 | HdRF237-40/1-L-56C | HdRF237-40/1-R-56C | HdRF237-40/1-DE-56C |
| | | 2.62 | 56C | 50 | HdRF262-40/1-L-56C | HdRF262-40/1-R-56C | HdRF262-40/1-DE-56C |
| | | 2.62 | 145TC | 50 | HdRF262-40/1-L-145TC | --- | --- |
| 3.25 | 56C | 87 | HdRF325-40/1-L-56C | HdRF325-40/1-R-56C | HdRF325-40/1-DE-56C | | |
| 3.25 | 145TC | 87 | HdRF325-40/1-L-145TC | HdRF325-40/1-R-145TC | HdRF325-40/1-DE-145TC | | |
| 50:1 | 35 | 1.33 | 56C | 17 | HdRF133-50/1-L-56C | HdRF133-50/1-R-56C | HdRF133-50/1-DE-56C |
| | | 1.54 | 56C | 22 | HdRF154-50/1-L-56C | HdRF154-50/1-R-56C | HdRF154-50/1-DE-56C |
| | | 1.76 | 56C | 27 | HdRF175-50/1-L-56C | HdRF175-50/1-R-56C | HdRF175-50/1-DE-56C |
| | | 2.06 | 56C | 32 | HdRF206-50/1-L-56C | HdRF206-50/1-R-56C | HdRF206-50/1-DE-56C |
| | | 2.37 | 56C | 38 | HdRF237-50/1-L-56C | HdRF237-50/1-R-56C | HdRF237-50/1-DE-56C |
| | | 2.62 | 56C | 50 | HdRF262-50/1-L-56C | HdRF262-50/1-R-56C | HdRF262-50/1-DE-56C |
| | | 3.25 | 56C | 87 | HdRF325-50/1-L-56C | HdRF325-50/1-R-56C | HdRF325-50/1-DE-56C |
| 3.25 | 145TC | 87 | HdRF325-50/1-L-145TC | HdRF325-50/1-R-145TC | HdRF325-50/1-DE-145TC | | |
| 60:1 | 29 | 1.33 | 56C | 17 | HdRF133-60/1-L-56C | HdRF133-60/1-R-56C | HdRF133-60/1-DE-56C |
| | | 1.54 | 56C | 22 | HdRF154-60/1-L-56C | HdRF154-60/1-R-56C | HdRF154-60/1-DE-56C |
| | | 1.75 | 56C | 27 | HdRF175-60/1-L-56C | HdRF175-60/1-R-56C | HdRF175-60/1-DE-56C |
| | | 2.06 | 56C | 32 | HdRF206-60/1-L-56C | HdRF206-60/1-R-56C | HdRF206-60/1-DE-56C |
| | | 2.37 | 56C | 38 | HdRF237-60/1-L-56C | HdRF237-60/1-R-56C | HdRF237-60/1-DE-56C |
| | | 2.62 | 56C | 50 | HdRF262-60/1-L-56C | HdRF262-60/1-R-56C | HdRF262-60/1-DE-56C |
| | | 3.25 | 56C | 87 | HdRF325-60/1-L-56C | HdRF325-60/1-R-56C | HdRF325-60/1-DE-56C |
| 3.25 | 145TC | 87 | HdRF325-60/1-L-145TC | HdRF325-60/1-R-145TC | HdRF325-60/1-DE-145TC | | |

HD Cast Iron Worm Gear Reducers: Dimensions Flange Input, Shaft Output, Left / Right Hand Output



2
HEAVY DUTY
CAST IRON REDUCERS

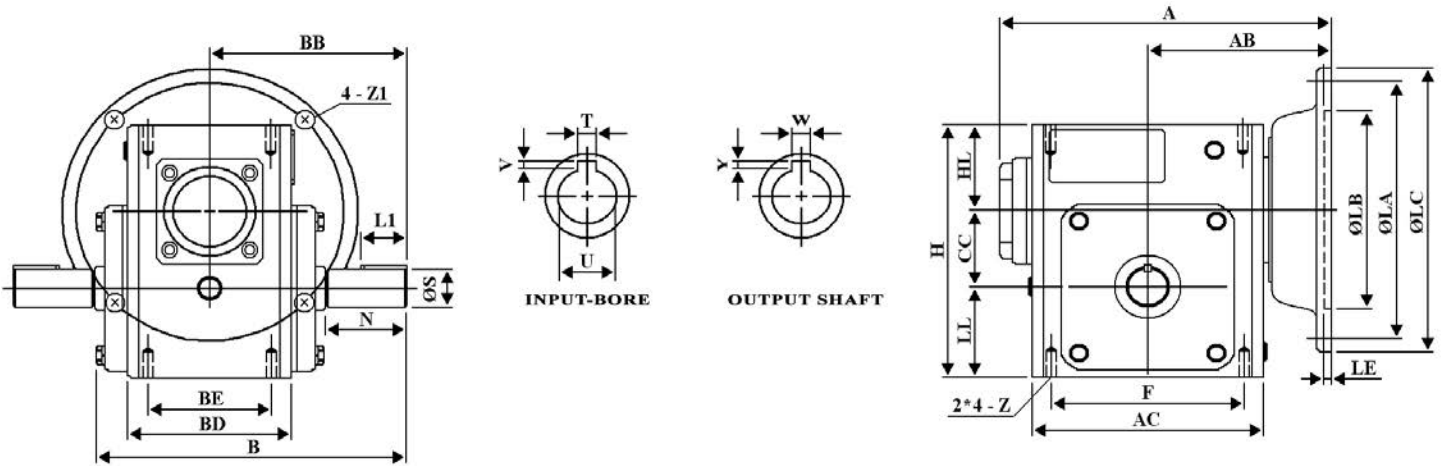
| All listed dimensions in inches | | | | | | | | | | | | | | |
|---------------------------------|------------|-------|-------|-------|--------|-------|-------|-------|-------|-------|-------|-------|-------|-------|
| Box Size | NEMA Frame | A | AB | AC | B | BB | BD | BE | CC | F | H | HL | LL | N |
| 133 | 56C | 5.99 | 3.386 | 3.78 | 6.067 | 4 | 2.835 | 2 | 1.333 | 3.25 | 4.656 | 1.605 | 1.718 | 2 |
| 154 | 56C | 7.15 | 3.976 | 4.961 | 6.122 | 4.311 | 3.622 | 2.75 | 1.54 | 4.188 | 5.378 | 1.929 | 1.909 | 1.772 |
| 175 | 56C | 7.29 | 4.035 | 5.059 | 6.831 | 4.311 | 3.563 | 2.75 | 1.75 | 4.188 | 5.75 | 1.938 | 2.062 | 1.781 |
| 206 | 56C | 7.95 | 4.37 | 5.748 | 7.249 | 4.69 | 3.819 | 2.88 | 2.062 | 5 | 6.375 | 2.032 | 2.281 | 2.09 |
| 237 | 56C | 8.71 | 4.705 | 6.378 | 7.948 | 5.087 | 4.055 | 2.88 | 2.375 | 5 | 6.937 | 2.062 | 2.5 | 2.37 |
| 262 | 56C | 9.41 | 5.059 | 7.165 | 8.872 | 5.63 | 4.685 | 3.375 | 2.625 | 6.375 | 8 | 2.437 | 2.938 | 2.626 |
| | 145TC | 9.41 | 5.059 | 7.165 | 8.872 | 5.63 | 4.685 | 3.375 | 2.625 | 6.375 | 8 | 2.437 | 2.938 | 2.626 |
| 325 | 182/4TC | 10.57 | 6.24 | 7.165 | 8.872 | 5.63 | 4.685 | 3.375 | 2.625 | 6.375 | 8 | 2.437 | 2.938 | 2.626 |
| | 56C | 11.42 | 6.063 | 9.016 | 11.014 | 7.059 | 5.748 | 4 | 3.25 | 7.5 | 9.375 | 2.625 | 3.5 | 3.25 |
| 325 | 145TC | 11.42 | 6.063 | 9.016 | 11.014 | 7.059 | 5.748 | 4 | 3.25 | 7.5 | 9.375 | 2.625 | 3.5 | 3.25 |
| | 182/4TC | 12.59 | 7.244 | 9.016 | 11.014 | 7.059 | 5.748 | 4 | 3.25 | 7.5 | 9.375 | 2.625 | 3.5 | 3.25 |

| All listed dimensions in inches | | | | | | | | | | | | | | |
|---------------------------------|------------|-----------|------------|-------------|--------------|-------|-------------|--------|------|-------|-------|-------|-----------|--|
| Box Size | NEMA Frame | Z (UNC) | INPUT BORE | | OUTPUT SHAFT | | | FLANGE | | | | | Oil (oz.) | |
| | | | U | T x V | L1 | S | W x Y | LA | LB | LC | LE | Z1 | | |
| 133 | 56C | 5/16 - 18 | 0.625 | 3/16 x 3/32 | 1 | 0.625 | 3/16 x 3/32 | 5.875 | 4.5 | 6.496 | 0.157 | 0.433 | 5.82 | |
| 154 | 56C | 5/16 - 18 | 0.625 | 3/16 x 3/32 | 1 | 0.75 | 3/16 x 3/32 | 5.875 | 4.5 | 6.496 | 0.157 | 0.433 | 11.64 | |
| 175 | 56C | 5/16 - 18 | 0.625 | 3/16 x 3/32 | 1 | 0.875 | 3/16 x 3/32 | 5.875 | 4.5 | 6.496 | 0.157 | 0.433 | 11.64 | |
| 206 | 56C | 3/8 - 16 | 0.625 | 3/16 x 3/32 | 1.25 | 1 | 1/4 x 1/8 | 5.875 | 4.5 | 6.496 | 0.157 | 0.433 | 19.41 | |
| 237 | 56C | 3/8 - 16 | 0.625 | 3/16 x 3/32 | 1.25 | 1.125 | 1/4 x 1/8 | 5.875 | 4.5 | 6.496 | 0.157 | 0.433 | 24.07 | |
| 262 | 56C | 3/8 - 16 | 0.625 | 3/16 x 3/32 | 2 | 1.125 | 1/4 x 1/8 | 5.875 | 4.5 | 6.496 | 0.157 | 0.433 | 34.55 | |
| | 145TC | 3/8 - 16 | 0.875 | 3/16 x 3/32 | 2 | 1.125 | 1/4 x 1/8 | 5.875 | 4.5 | 6.496 | 0.157 | 0.433 | 34.55 | |
| 325 | 182/4TC | 3/8 - 16 | 1.125 | 1/4 x 1/8 | 2 | 1.125 | 1/4 x 1/8 | 8.5 | 7.25 | 9 | 0.197 | 0.551 | 34.55 | |
| | 56C | 7/16 - 14 | 0.625 | 3/16 x 3/32 | 2.438 | 1.375 | 5/16 x 5/32 | 5.875 | 4.5 | 6.496 | 0.157 | 0.433 | 73.75 | |
| 325 | 145TC | 7/16 - 14 | 0.875 | 3/16 x 3/32 | 2.438 | 1.375 | 5/16 x 5/32 | 5.875 | 4.5 | 6.496 | 0.157 | 0.433 | 73.75 | |
| | 182/4TC | 7/16 - 14 | 1.125 | 1/4 x 1/8 | 2.438 | 1.375 | 5/16 x 5/32 | 8.5 | 7.25 | 9 | 0.197 | 0.551 | 73.75 | |

Dimensions shown in this catalog are for general use only.
For an exact drawing on a specific rating, please contact our sales office.

HD Cast Iron Worm Gear Reducers: Dimensions Flange Input, Shaft Output, Double End Output

2
HEAVY DUTY
CAST IRON REDUCERS



| All listed dimensions in inches | | | | | | | | | | | | | | |
|---------------------------------|------------|-------|-------|-------|--------|-------|-------|-------|-------|-------|-------|-------|-------|-------|
| Box Size | NEMA Frame | A | AB | AC | B | BB | BD | BE | CC | F | H | HL | LL | N |
| 133 | 56C | 5.99 | 3.386 | 3.78 | 6.067 | 4 | 2.835 | 2 | 1.333 | 3.25 | 4.656 | 1.605 | 1.718 | 2 |
| 175 | 56C | 7.29 | 4.035 | 5.059 | 6.831 | 4.311 | 3.563 | 2.75 | 1.75 | 4.188 | 5.75 | 1.938 | 2.062 | 1.781 |
| 206 | 56C | 7.95 | 4.37 | 5.748 | 7.249 | 4.69 | 3.819 | 2.88 | 2.062 | 5 | 6.375 | 2.032 | 2.281 | 2.09 |
| 237 | 56C | 8.71 | 4.705 | 6.378 | 7.948 | 5.087 | 4.055 | 2.88 | 2.375 | 5 | 6.937 | 2.062 | 2.5 | 2.37 |
| 262 | 56C | 9.41 | 5.059 | 7.165 | 8.872 | 5.63 | 4.685 | 3.375 | 2.625 | 6.375 | 8 | 2.437 | 2.938 | 2.626 |
| | 145TC | 9.41 | 5.059 | 7.165 | 8.872 | 5.63 | 4.685 | 3.375 | 2.625 | 6.375 | 8 | 2.437 | 2.938 | 2.626 |
| 325 | 182/4TC | 10.57 | 6.24 | 7.165 | 8.872 | 5.63 | 4.685 | 3.375 | 2.625 | 6.375 | 8 | 2.437 | 2.938 | 2.626 |
| | 56C | 11.42 | 6.063 | 9.016 | 11.014 | 7.059 | 5.748 | 4 | 3.25 | 7.5 | 9.375 | 2.625 | 3.5 | 3.25 |
| 325 | 145TC | 11.42 | 6.063 | 9.016 | 11.014 | 7.059 | 5.748 | 4 | 3.25 | 7.5 | 9.375 | 2.625 | 3.5 | 3.25 |
| | 182/4TC | 12.59 | 7.244 | 9.016 | 11.014 | 7.059 | 5.748 | 4 | 3.25 | 7.5 | 9.375 | 2.625 | 3.5 | 3.25 |

| All listed dimensions in inches | | | | | | | | | | | | | | |
|---------------------------------|------------|-----------|------------|-------------|--------------|-------|-------------|--------|------|-------|-------|-------|-----------|--|
| Box Size | NEMA Frame | Z (UNC) | INPUT BORE | | OUTPUT SHAFT | | | FLANGE | | | | | Oil (oz.) | |
| | | | U | T x V | L1 | S | W x Y | LA | LB | LC | LE | Z1 | | |
| 133 | 56C | 5/16 - 18 | 0.625 | 3/16 x 3/32 | 1 | 0.625 | 3/16 x 3/32 | 5.875 | 4.5 | 6.496 | 0.157 | 0.433 | 5.82 | |
| 175 | 56C | 5/16 - 18 | 0.625 | 3/16 x 3/32 | 1 | 0.875 | 3/16 x 3/32 | 5.875 | 4.5 | 6.496 | 0.157 | 0.433 | 11.64 | |
| 206 | 56C | 3/8 - 16 | 0.625 | 3/16 x 3/32 | 1.25 | 1 | 1/4 x 1/8 | 5.875 | 4.5 | 6.496 | 0.157 | 0.433 | 19.41 | |
| 237 | 56C | 3/8 - 16 | 0.625 | 3/16 x 3/32 | 1.25 | 1.125 | 1/4 x 1/8 | 5.875 | 4.5 | 6.496 | 0.157 | 0.433 | 24.07 | |
| 262 | 56C | 3/8 - 16 | 0.625 | 3/16 x 3/32 | 2 | 1.125 | 1/4 x 1/8 | 5.875 | 4.5 | 6.496 | 0.157 | 0.433 | 34.55 | |
| | 145TC | 3/8 - 16 | 0.875 | 3/16 x 3/32 | 2 | 1.125 | 1/4 x 1/8 | 5.875 | 4.5 | 6.496 | 0.157 | 0.433 | 34.55 | |
| 325 | 182/4TC | 3/8 - 16 | 1.125 | 1/4 x 1/8 | 2 | 1.125 | 1/4 x 1/8 | 8.5 | 7.25 | 9 | 0.197 | 0.551 | 34.55 | |
| | 56C | 7/16 - 14 | 0.625 | 3/16 x 3/32 | 2.438 | 1.375 | 5/16 x 5/32 | 5.875 | 4.5 | 6.496 | 0.157 | 0.433 | 73.75 | |
| 325 | 145TC | 7/16 - 14 | 0.875 | 3/16 x 3/32 | 2.438 | 1.375 | 5/16 x 5/32 | 5.875 | 4.5 | 6.496 | 0.157 | 0.433 | 73.75 | |
| | 182/4TC | 7/16 - 14 | 1.125 | 1/4 x 1/8 | 2.438 | 1.375 | 5/16 x 5/32 | 8.5 | 7.25 | 9 | 0.197 | 0.551 | 73.75 | |

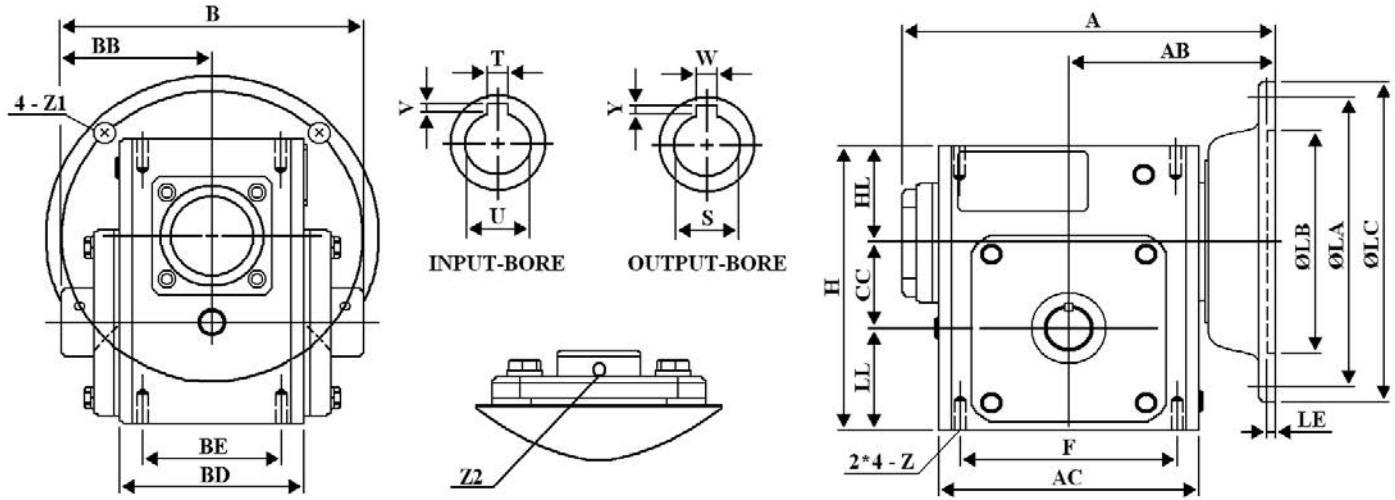
Dimensions shown in this catalog are for general use only.
For an exact drawing on a specific rating, please contact our sales office.

HD Cast Iron Worm Gear Reducers:
Flange Input, Hollow Bore Output

| Ratio C | Output RPM @ 1800 RPM Input | WCD Center (in.) | NEMA Motor Frame | Approx. Wt. (lbs.) | Model Number |
|---------|-----------------------------|------------------|------------------|--------------------|------------------------|
| 5:1 | 350 | 1.33 | 56C | 17 | HdRF133-5/1-H-56C |
| | | 1.75 | 56C | 27 | HdRF175-5/1-H-56C |
| | | 2.06 | 56C | 32 | HdRF206-5/1-H-56C |
| | | 2.37 | 56C | 38 | HdRF237-5/1-H-56C |
| | | 2.62 | 182/4TC | 53 | HdRF262-5/1-H-182/4TC |
| | | 3.25 | 182/4TC | 90 | HdRF325-5/1-H-182/4TC |
| 10:1 | 175 | 1.33 | 56C | 17 | HdRF133-10/1-H-56C |
| | | 1.75 | 56C | 27 | HdRF175-10/1-H-56C |
| | | 2.06 | 56C | 32 | HdRF206-10/1-H-56C |
| | | 2.37 | 56C | 38 | HdRF237-10/1-H-56C |
| | | 2.62 | 182/4TC | 53 | HdRF262-10/1-H-182/4TC |
| | | 3.25 | 182/4TC | 90 | HdRF325-10/1-H-182/4TC |
| 15:1 | 120 | 1.33 | 56C | 17 | HdRF133-15/1-H-56C |
| | | 1.75 | 56C | 27 | HdRF175-15/1-H-56C |
| | | 2.06 | 56C | 32 | HdRF206-15/1-H-56C |
| | | 2.37 | 56C | 38 | HdRF237-15/1-H-56C |
| | | 2.62 | 56C | 53 | HdRF262-15/1-H-56C |
| | | 2.62 | 145TC | 53 | HdRF262-15/1-H-145TC |
| 20:1 | 88 | 3.25 | 182/4TC | 90 | HdRF325-15/1-H-182/4TC |
| | | 1.33 | 56C | 17 | HdRF133-20/1-H-56C |
| | | 1.75 | 56C | 27 | HdRF175-20/1-H-56C |
| | | 2.06 | 56C | 32 | HdRF206-20/1-H-56C |
| | | 2.37 | 56C | 38 | HdRF237-20/1-H-56C |
| | | 2.62 | 56C | 53 | HdRF262-20/1-H-56C |
| 30:1 | 58 | 2.62 | 145TC | 53 | HdRF262-20/1-H-145TC |
| | | 3.25 | 182/4TC | 90 | HdRF325-20/1-H-182/4TC |
| | | 1.33 | 56C | 17 | HdRF133-30/1-H-56C |
| | | 1.75 | 56C | 27 | HdRF175-30/1-H-56C |
| | | 2.06 | 56C | 32 | HdRF206-30/1-H-56C |
| | | 2.37 | 56C | 38 | HdRF237-30/1-H-56C |
| 40:1 | 44 | 2.62 | 56C | 50 | HdRF262-30/1-H-56C |
| | | 2.62 | 145TC | 50 | HdRF262-30/1-H-145TC |
| | | 3.25 | 56C | 87 | HdRF325-30/1-H-56C |
| | | 3.25 | 145TC | 87 | HdRF325-30/1-H-145TC |
| | | 1.33 | 56C | 17 | HdRF133-40/1-H-56C |
| | | 1.75 | 56C | 27 | HdRF175-40/1-H-56C |
| 50:1 | 35 | 2.06 | 56C | 32 | HdRF206-40/1-H-56C |
| | | 2.37 | 56C | 38 | HdRF237-40/1-H-56C |
| | | 2.62 | 56C | 50 | HdRF262-40/1-H-56C |
| | | 3.25 | 56C | 87 | HdRF325-40/1-H-56C |
| | | 3.25 | 145TC | 87 | HdRF325-40/1-H-145TC |
| | | 1.33 | 56C | 17 | HdRF133-50/1-H-56C |
| 60:1 | 29 | 1.76 | 56C | 27 | HdRF175-50/1-H-56C |
| | | 2.06 | 56C | 32 | HdRF206-50/1-H-56C |
| | | 2.37 | 56C | 38 | HdRF237-50/1-H-56C |
| | | 2.62 | 56C | 50 | HdRF262-50/1-H-56C |
| | | 3.25 | 56C | 87 | HdRF325-50/1-H-56C |
| | | 3.25 | 145TC | 87 | HdRF325-50/1-H-145TC |
| 60:1 | 29 | 1.33 | 56C | 17 | HdRF133-60/1-H-56C |
| | | 1.75 | 56C | 27 | HdRF175-60/1-H-56C |
| | | 2.06 | 56C | 32 | HdRF206-60/1-H-56C |
| | | 2.37 | 56C | 38 | HdRF237-60/1-H-56C |
| | | 2.62 | 56C | 50 | HdRF262-60/1-H-56C |
| | | 3.25 | 56C | 87 | HdRF325-60/1-H-56C |
| | | 3.25 | 145TC | 87 | HdRF325-60/1-H-145TC |
| | | 3.25 | 182/4TC | 90 | HdRF325-60/1-H-182/4TC |

2
 HEAVY DUTY
 CAST IRON REDUCERS

HD Cast Iron Worm Gear Reducers: Dimensions Flange Input, Hollow Bore Output



2
HEAVY DUTY
CAST IRON REDUCERS

| All listed dimensions in inches | | | | | | | | | | | | | | |
|---------------------------------|------------|-------|-------|-------|------|-------|-------|-------|-------|------|-------|-------|-------|---------------------|
| Box Size | NEMA Frame | A | AB | AC | B | BB | BD | BE | CC | F | H | HL | LL | Z2 |
| 133 | 56C | 5.98 | 3.386 | 3.78 | 4.44 | 2.218 | 2.835 | 2 | 1.333 | 3.25 | 4.656 | 1.605 | 1.718 | #10 - 32 UNF x 1/4 |
| 175 | 56C | 7.28 | 4.035 | 5.059 | 6.18 | 3.091 | 3.563 | 2.75 | 1.75 | 4.19 | 5.75 | 1.938 | 2.062 | #10 - 32 UNF x 1/4 |
| 206 | 56C | 7.95 | 4.37 | 5.748 | 6.44 | 3.219 | 3.819 | 2.88 | 2.062 | 5 | 6.375 | 2.032 | 2.281 | 1/4 - 28 UNF x 3/8 |
| 237 | 56C | 8.68 | 4.705 | 6.378 | 6.44 | 3.22 | 4.055 | 2.88 | 2.375 | 5 | 6.937 | 2.062 | 2.5 | 1/4 - 28 UNF x 3/8 |
| 262 | 56C | 9.41 | 5.059 | 7.165 | 7 | 3.5 | 4.68 | 3.375 | 2.625 | 6.38 | 8 | 2.437 | 2.938 | 1/4 - 28 UNF x 3/8 |
| | 145TC | 9.41 | 5.059 | 7.165 | 7 | 3.5 | 4.68 | 3.375 | 2.625 | 6.38 | 8 | 2.437 | 2.938 | 1/4 - 28 UNF x 3/8 |
| | 182/4TC | 10.59 | 6.24 | 7.165 | 7 | 3.5 | 4.68 | 3.375 | 2.625 | 6.38 | 8 | 2.437 | 2.938 | 1/4 - 28 UNF x 3/8 |
| 325 | 56C | 11.42 | 6.063 | 9.016 | 8.76 | 4.38 | 5.748 | 4 | 3.25 | 7.5 | 9.375 | 2.625 | 3.5 | 5/16 - 24 UNF x 3/8 |
| | 145TC | 11.42 | 6.063 | 9.016 | 8.76 | 4.38 | 5.748 | 4 | 3.25 | 7.5 | 9.375 | 2.625 | 3.5 | 5/16 - 24 UNF x 3/8 |
| | 182/4TC | 12.6 | 7.244 | 9.016 | 8.76 | 4.38 | 5.748 | 4 | 3.25 | 7.5 | 9.375 | 2.625 | 3.5 | 5/16 - 24 UNF x 3/8 |

| All listed dimensions in inches | | | | | | | | | | | | | |
|---------------------------------|------------|-----------|------------|-------------|-------|-------------|--------|-----|-----|-------|-------|-------|-----------|
| Box Size | NEMA Frame | Z (UNC) | INPUT BORE | | | | FLANGE | | | | | | Oil (oz.) |
| | | | U | T x V | S | W x Y | LA | LB | LC | LE | Z1 | | |
| 133 | 56C | 5/16 - 18 | 0.625 | 3/16 x 3/32 | 0.625 | 3/16 x 3/32 | 5.875 | 4.5 | 6.5 | 0.157 | 0.433 | 5.82 | |
| 175 | 56C | 5/16 - 18 | 0.625 | 3/16 x 3/32 | 1 | 1/4 x 7/64 | 5.875 | 4.5 | 6.5 | 0.157 | 0.433 | 11.64 | |
| 206 | 56C | 3/8 - 16 | 0.625 | 3/16 x 3/32 | 1.125 | 1/4 x 1/8 | 5.875 | 4.5 | 6.5 | 0.157 | 0.433 | 19.41 | |
| 237 | 56C | 3/8 - 16 | 0.625 | 3/16 x 3/32 | 1.25 | 1/4 x 1/8 | 5.875 | 4.5 | 6.5 | 0.157 | 0.433 | 24.07 | |
| 262 | 56C | 3/8 - 16 | 0.625 | 3/16 x 3/32 | 1.437 | 3/8 x 3/16 | 5.875 | 4.5 | 6.5 | 0.157 | 0.433 | 34.55 | |
| | 145TC | 3/8 - 16 | 0.875 | 3/16 x 3/32 | 1.437 | 3/8 x 3/16 | 5.875 | 4.5 | 6.5 | 0.157 | 0.433 | 34.55 | |
| | 182/4TC | 3/8 - 16 | 1.125 | 1/4 x 1/8 | 1.437 | 3/8 x 3/16 | 7.25 | 8.5 | 9 | 0.2 | 0.551 | 34.55 | |
| 325 | 56C | 7/16 - 14 | 0.625 | 3/16 x 3/32 | 1.937 | 1/2 x 1/4 | 5.875 | 4.5 | 6.5 | 0.157 | 0.433 | 73.75 | |
| | 145TC | 7/16 - 14 | 0.875 | 3/16 x 3/32 | 1.937 | 1/2 x 1/4 | 5.875 | 4.5 | 6.5 | 0.157 | 0.433 | 73.75 | |
| | 1842/TC | 7/16 - 14 | 1.125 | 1/4 x 1/8 | 1.937 | 1/2 x 1/4 | 7.25 | 8.5 | 9 | 0.2 | 0.551 | 73.75 | |

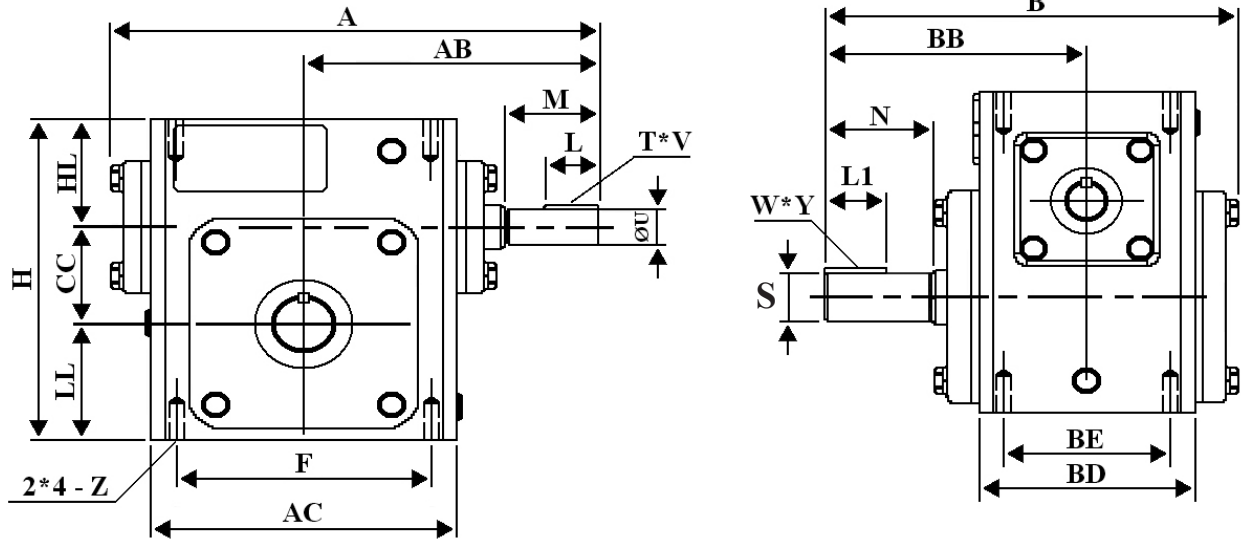
Dimensions shown in this catalog are for general use only. For an exact drawing on a specific rating, please contact our sales office.

HD Cast Iron Worm Gear Reducers:
Shaft Input, Shaft Output

| Ratio C | Output RPM @ 1800 RPM Input | WCD Center (in.) | NEMA Motor Frame | Approx. Wt. (lbs.) | Model Number Left Hand Output | Model Number Right Hand Output |
|---------|-----------------------------|------------------|-------------------|--------------------|-------------------------------|--------------------------------|
| 5:1 | 350 | 1.33 | 56C | 17 | HdRS133-5/1-L | HdRS133-5/1-R |
| | | 1.75 | 56C | 27 | HdRS175-5/1-L | HdRS175-5/1-R |
| | | 2.06 | 56C | 32 | HdRS206-5/1-L | HdRS206-5/1-R |
| | | 2.37 | 56C | 38 | HdRS237-5/1-L | HdRS237-5/1-R |
| | | 2.62 | 182/4TC | 53 | HdRS262-5/1-L | HdRS262-5/1-R |
| | | 3.25 | 182/4TC | 90 | HdRS325-5/1-L | HdRS325-5/1-R |
| 10:1 | 175 | 1.33 | 56C | 17 | HdRS133-10/1-L | HdRS133-10/1-R |
| | | 1.54 | 56C | 22 | HdRS154-10/1-L | --- |
| | | 1.75 | 56C | 27 | HdRS175-10/1-L | HdRS175-10/1-R |
| | | 2.06 | 56C | 32 | HdRS206-10/1-L | HdRS206-10/1-R |
| | | 2.37 | 56C | 38 | HdRS237-10/1-L | HdRS237-10/1-R |
| | | 2.62 | 182/4TC | 53 | HdRS262-10/1-L | HdRS262-10/1-R |
| 15:1 | 120 | 1.33 | 56C | 17 | HdRS133-15/1-L | HdRS133-15/1-R |
| | | 1.75 | 56C | 27 | HdRS175-15/1-L | HdRS175-15/1-R |
| | | 2.06 | 56C | 32 | HdRS206-15/1-L | HdRS206-15/1-R |
| | | 2.37 | 56C | 38 | HdRS237-15/1-L | HdRS237-15/1-R |
| | | 2.62 | 56C/145TC | 53 | HdRS262-15/1-L | HdRS262-15/1-R |
| | | 3.25 | 182/4TC | 90 | HdRS325-15/1-L | HdRS325-15/1-R |
| 20:1 | 88 | 1.33 | 56C | 17 | HdRS133-20/1-L | HdRS133-20/1-R |
| | | 1.54 | 56C | 22 | HdRS154-20/1-L | --- |
| | | 1.75 | 56C | 27 | HdRS175-20/1-L | HdRS175-20/1-R |
| | | 2.06 | 56C | 32 | HdRS206-20/1-L | HdRS206-20/1-R |
| | | 2.37 | 56C | 38 | HdRS237-20/1-L | HdRS237-20/1-R |
| | | 2.62 | 56C/145TC | 53 | HdRS262-20/1-L | HdRS262-20/1-R |
| 30:1 | 58 | 1.33 | 56C | 17 | HdRS133-30/1-L | HdRS133-30/1-R |
| | | 1.75 | 56C | 27 | HdRS175-30/1-L | HdRS175-30/1-R |
| | | 2.06 | 56C | 32 | HdRS206-30/1-L | HdRS206-30/1-R |
| | | 2.37 | 56C | 38 | HdRS237-30/1-L | HdRS237-30/1-R |
| | | 2.62 | 56C/145TC | 50 | HdRS262-30/1-L | HdRS262-30/1-R |
| | | 3.25 | 56C/145TC | 87 | HdRS325-30/1-L | HdRS325-30/1-R |
| 40:1 | 44 | 1.33 | 56C | 17 | HdRS133-40/1-L | HdRS133-40/1-R |
| | | 1.54 | 56C | 22 | HdRS154-40/1-L | --- |
| | | 1.75 | 56C | 27 | HdRS175-40/1-L | HdRS175-40/1-R |
| | | 2.06 | 56C | 32 | HdRS206-40/1-L | HdRS206-40/1-R |
| | | 2.37 | 56C | 38 | HdRS237-40/1-L | HdRS237-40/1-R |
| | | 2.62 | 56C | 50 | HdRS262-40/1-L | HdRS262-40/1-R |
| 50:1 | 35 | 1.33 | 56C | 17 | HdRS133-50/1-L | HdRS133-50/1-R |
| | | 1.76 | 56C | 27 | HdRS175-50/1-L | HdRS175-50/1-R |
| | | 2.06 | 56C | 32 | HdRS206-50/1-L | HdRS206-50/1-R |
| | | 2.37 | 56C | 38 | HdRS237-50/1-L | HdRS237-50/1-R |
| | | 2.62 | 56C | 50 | HdRS262-50/1-L | HdRS262-50/1-R |
| | | 3.25 | 56C/145TC | 87 | HdRS325-50/1-L | HdRS325-50/1-R |
| 60:1 | 29 | 1.33 | 56C | 17 | HdRS133-60/1-L | HdRS133-60/1-R |
| | | 1.75 | 56C | 27 | HdRS175-60/1-L | HdRS175-60/1-R |
| | | 2.06 | 56C | 32 | HdRS206-60/1-L | HdRS206-60/1-R |
| | | 2.37 | 56C | 38 | HdRS237-60/1-L | HdRS237-60/1-R |
| | | 2.62 | 56C | 50 | HdRS262-60/1-L | HdRS262-60/1-R |
| | | 3.25 | 56C/145TC/182/4TC | 87 | HdRS325-60/1-L | HdRS325-60/1-R |

2
 HEAVY DUTY
 CAST IRON REDUCERS

HD Cast Iron Worm Gear Reducers: Dimensions Shaft Input, Shaft Output



All listed dimensions in inches

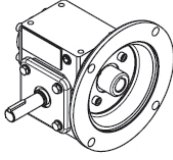
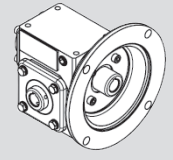
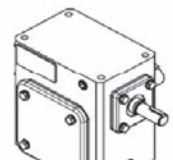
| Box Size | NEMA Frame | A | AB | AC | B | BB | BD | BE | CC | F | H | HL | LL |
|----------|------------|-------|-------|-------|-------|-------|-------|-------|-------|-------|-------|-------|-------|
| 133 | 56 | 6.45 | 3.907 | 3.78 | 6.067 | 4 | 2.835 | 2 | 1.333 | 3.25 | 4.656 | 1.605 | 1.718 |
| 175 | 56 | 8.06 | 4.872 | 5.059 | 6.831 | 4.311 | 3.563 | 2.75 | 1.75 | 4.188 | 5.75 | 1.938 | 2.062 |
| 206 | 56 | 8.65 | 5.128 | 5.748 | 7.249 | 4.69 | 3.819 | 2.88 | 2.062 | 5 | 6.375 | 2.032 | 2.281 |
| | 145T | 8.65 | 5.128 | 5.748 | 7.249 | 4.69 | 3.819 | 2.88 | 2.062 | 5 | 6.375 | 2.032 | 2.281 |
| 237 | 56 | 9.69 | 5.75 | 6.378 | 7.948 | 5.087 | 4.055 | 2.88 | 2.375 | 5 | 6.937 | 2.062 | 2.5 |
| | 145T | 9.69 | 5.75 | 6.378 | 7.948 | 5.087 | 4.055 | 2.88 | 2.375 | 5 | 6.937 | 2.062 | 2.5 |
| | 182/4T | 9.69 | 5.75 | 6.378 | 7.948 | 5.087 | 4.055 | 2.88 | 2.375 | 5 | 6.937 | 2.062 | 2.5 |
| 262 | 56 | 10.61 | 6.309 | 7.165 | 8.872 | 5.63 | 4.685 | 3.375 | 2.625 | 6.375 | 8 | 2.437 | 2.938 |
| | 145T | 10.61 | 6.309 | 7.165 | 8.872 | 5.63 | 4.685 | 3.375 | 2.625 | 6.375 | 8 | 2.437 | 2.938 |
| | 182/4T | 10.61 | 6.309 | 7.165 | 8.872 | 5.63 | 4.685 | 3.375 | 2.625 | 6.375 | 8 | 2.437 | 2.938 |
| 325 | 145T | 12.74 | 7.441 | 9.016 | 11.01 | 7.059 | 5.748 | 4 | 3.25 | 7.5 | 9.375 | 2.625 | 3.5 |
| | 182/4T | 12.74 | 7.441 | 9.016 | 11.01 | 7.059 | 5.748 | 4 | 3.25 | 7.5 | 9.375 | 2.625 | 3.5 |

All listed dimensions in inches

| Box Size | NEMA Frame | Z (UNC) | INPUT SHAFT | | | OUTPUT SHAFT | | | Oil (oz.) |
|----------|------------|-----------|-------------|-------|-------------|--------------|-------|-------------|-----------|
| | | | L | U | T x V | L1 | S | W x Y | |
| 133 | 56 | 5/16 - 18 | 0.625 | 0.5 | 1/8 x 1/16 | 1 | 0.625 | 3/16 x 3/32 | 5.82 |
| 175 | 56 | 5/16 - 18 | 0.875 | 0.625 | 3/16 x 3/32 | 1 | 0.875 | 3/16 x 3/32 | 11.64 |
| 206 | 56 | 3/8 - 16 | 0.875 | 0.625 | 3/16 x 3/32 | 1.25 | 1 | 1/4 x 1/8 | 19.41 |
| | 145T | 3/8 - 16 | 0.875 | 0.625 | 3/16 x 3/32 | 1.25 | 1 | 1/4 x 1/8 | 19.41 |
| 237 | 56 | 3/8 - 16 | 1 | 0.75 | 3/16 x 3/32 | 1.25 | 1.125 | 1/4 x 1/8 | 24.07 |
| | 145T | 3/8 - 16 | 1 | 0.75 | 3/16 x 3/32 | 1.25 | 1.125 | 1/4 x 1/8 | 24.07 |
| | 182/4T | 3/8 - 16 | 1 | 0.75 | 3/16 x 3/32 | 1.25 | 1.125 | 1/4 x 1/8 | 24.07 |
| 262 | 56 | 3/8 - 16 | 1 | 0.75 | 3/16 x 3/32 | 2 | 1.125 | 1/4 x 1/8 | 34.55 |
| | 145T | 3/8 - 16 | 1 | 0.75 | 3/16 x 3/32 | 2 | 1.125 | 1/4 x 1/8 | 34.55 |
| | 182/4T | 3/8 - 16 | 1 | 0.75 | 3/16 x 3/32 | 2 | 1.125 | 1/4 x 1/8 | 34.55 |
| 325 | 145T | 7/16 - 14 | 1 | 0.875 | 3/16 x 3/32 | 2.438 | 1.375 | 5/16 x 5/32 | 73.75 |
| | 182/4T | 7/16 - 14 | 1 | 0.875 | 3/16 x 3/32 | 2.438 | 1.375 | 5/16 x 5/32 | 73.75 |

Dimensions shown in this catalog are for general use only.
For an exact drawing on a specific rating, please contact our sales office.

HD Cast Iron Worm Gear Reducers: Competitive Interchange

| | Center Distance | 1.33 | 1.75 | 2.06 | 2.37 | 2.62 | 3.25 |
|--|---------------------------|--------------------|--------------------|--------------------|--------------------|--------------------|--------------------|
| C-FACE INPUT SHAFT OUTPUT  | WorldWide Electric | HdRF133-L/R | HdRF175-L/R | HdRF206-L/R | HdRF237-L/R | HdRF262-L/R | HdRF325-L/R |
| | Alling Lander | 13UF | 17UF | 20UF | 23UF | 26UF | 32UF |
| | Baldor | F913 | F918 | F921 | F924 | F926 | F932 |
| | Boston | F713 | F718 | F721 | F724 | F726 | F732 |
| | Browning - Raider | Q133 | Q175 | Q206 | Q237 | Q262 | Q325 |
| | Dodge - Tigear | Q133 | Q175 | Q200 | — | Q262 | — |
| | Electra * | MSC13 | MSC17 | MSC21 | — | MSC26 | — |
| | Falk - Omnibox | 1133WBM | 1175WBM | 1206WBM | 1238WBM | 1262WBM | 1325WBM |
| | Grove (New) | BMQ213 | BMQ218 | BMQ220 | BMQ224 | BMQ226 | BMQ232 |
| | Grove (Old) | BMQ1133 | BMQ1175 | BMQ1206 | BMQ1238 | BMQ1262 | BMQ1325 |
| | Hub City * | 134 | 184 | 214 | — | 264 | 324 |
| | Leeson | BMQ613 | BMQ618 | BMQ621 | BMQ624 | BMQ626 | BMQ632 |
| | Morse Cobra * | 13Q | 18Q | 21Q | — | 26Q | — |
| | Morse Raider | 713F | 718F | 721F | 724F | 726F | 732F |
| | Ohio Gear | BMQ2133 | BMQ2175 | BMQ2206 | BMQ2238 | BMQ2262 | BMQ2325 |
| Winsmith * | 913MDN | 917MDN | 920MDN | 924MDN | 926MDN | — | |
| C-FACE INPUT HOLLOW BORE OUTPUT  | WorldWide Electric | HdRF133-H | HdRF175-H | HdRF206-H | HdRF237-H | HdRF262-H | HdRF325-H |
| | Alling Lander | 13YF | 17YF | 20YF | 23YF | 26YF | 32YF |
| | Baldor | HF913 | HF918 | HF921 | HF924 | HF926 | HF932 |
| | Boston | HF713 | HF718 | HF721 | HF724 | HF726 | HF732 |
| | Browning - Raider | QH133 | QH175 | QH206 | QH237 | QH262 | QH325 |
| | Electra * | — | MHSC17 | MHSC21 | — | MHSC26 | — |
| | Falk - Omnibox | 1133WBQM | 1175WBQM | 1206WBQM | 1238WBQM | 1262WBQM | 1325WBQM |
| | Grove (New) | HMQ213 | HMQ218 | HMQ220 | HMQ224 | HMQ226 | HMQ232 |
| | Grove (Old) | HMQ1133 | HMQ1175 | HMQ1206 | HMQ1238 | HMQ1262 | HMQ1325 |
| | Hub City * | — | 185 | 215 | — | 265 | 325 |
| | Leeson | HMQ613 | HMQ618 | HMQ621 | HMQ624 | HMQ626 | HMQ632 |
| | Morse Cobra * | 13QH | 18QH | 21QH | — | 26QH | — |
| | Morse Raider | 713SF | 718SF | 721SF | 724SF | 726SF | 732SF |
| | Ohio Gear | SM2133MQ | SM2175MQ | SM2206MQ | SM2238MQ | SM2262MQ | SM2325MQ |
| | Winsmith * | — | 917MDSN | 920MDSN | 924MDSN | 926MDSN | — |
| SHAFT INPUT SHAFT OUTPUT  | WorldWide Electric | HdRS133 | HdRS175 | HdRS206 | HdRS237 | HdRS262 | HdRS325 |
| | Alling Lander | 13U | 17U | 20U | 23U | 26U | 32U |
| | Baldor | S913 | S918 | S921 | S924 | S926 | S932 |
| | Boston | 713 | 718 | 721 | 724 | 726 | 732 |
| | Browning - Raider | U133 | U175 | U206 | U237 | U262 | U325 |
| | Dodge - Tigear | S133 | S175 | S200 | — | S262 | — |
| | Electra * | M13 | M17 | M21 | — | M26 | — |
| | Falk - Omnibox | 1133WB | 1175WB | 1206WB | 1238WB | 1262WB | 1325WB |
| | Grove (New) | B213 | B218 | B220 | B224 | B226 | B232 |
| | Grove (Old) | B1133 | B1175 | B1206 | B1238 | B1262 | B1325 |
| | Hub City * | 131 | 181 | 211 | — | 261 | 321 |
| | Leeson | B613 | B618 | B621 | B624 | B626 | B632 |
| | Morse Cobra * | 13U | 18U | 21U | — | 26U | — |
| | Morse Raider | 713B | 718B | 721B | 724B | 726B | 732B |
| | Ohio Gear | B2133 | B2175 | B2206 | B2238 | B2262 | B2325 |
| Winsmith * | 913DN | 917DN | 920DN | 924DN | 926DN | — | |

* WorldWide worm gearboxes are not dimensionally interchangeable with these manufacturers.
 ** WorldWide hollow bore worm gearboxes have only one output diameter bore available per center distance.

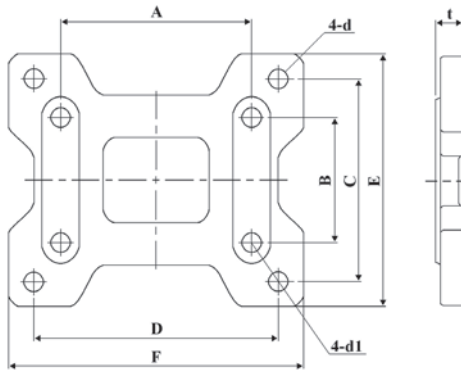
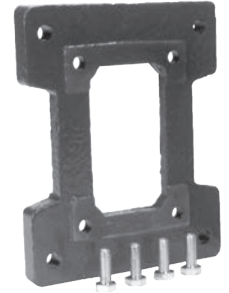
HD Cast Iron Worm Gear Reducers: Accessories and Parts

Mounting Bases

Product Specifications

- » Box Sizes 1.33 - 3.25
- » Includes Mounting Bolts

| Box Size | Model Number |
|----------|--------------|
| 133 | HdRBASE133 |
| 154 | HdRBASE154 |
| 175 | HdRBASE175 |
| 206 | HdRBASE206 |
| 237 | HdRBASE237 |
| 262 | HdRBASE262 |
| 325 | HdRBASE325 |



| All dimensions in inches | | | | | | | | | |
|--------------------------|------|------|------|------|------|-------|------|-------|------|
| Box Size | A | B | C | D | E | F | t | d | d1 |
| 133 | 3.25 | 2.00 | 3.31 | 4.38 | 4.19 | 5.38 | 0.53 | 11/32 | 3/8 |
| 154 | 4.19 | 2.75 | 4.31 | 5.25 | 5.44 | 6.44 | 0.59 | 11/32 | 3/8 |
| 175 | 4.19 | 2.75 | 4.50 | 5.75 | 5.69 | 7.00 | 0.69 | 13/32 | 3/8 |
| 206 | 5.00 | 2.88 | 4.69 | 6.38 | 5.94 | 7.75 | 0.72 | 15/32 | 7/16 |
| 237 | 5.00 | 2.88 | 4.88 | 7.06 | 6.22 | 8.50 | 0.75 | 15/32 | 7/16 |
| 262 | 6.38 | 3.38 | 5.25 | 8.00 | 6.66 | 9.63 | 0.75 | 17/32 | 7/16 |
| 325 | 7.50 | 4.00 | 6.13 | 9.50 | 7.66 | 11.19 | 0.88 | 17/32 | 1/2 |

HD Cast Iron Worm Gear Reducers: Accessories and Parts

Miscellaneous Parts

| Model Number | Description |
|---------------------------|--|
| Breather Plugs | |
| HdR-BPBRASSALL | BREATHER PLUG HdRF133-HdRF262 / HdRS133-HdRS262 |
| HdR-BPBRASS325 | BREATHER PLUG HdRF325 / HdRS325 |
| Bearings / Input | |
| HdR-PBA30203 | INPUT BEARING HdRF133-HdRF206 |
| HdR-PBA30204 | INPUT BEARING HdRS133 |
| HdR-PBA30205 | INPUT BEARING HdRF237-HdRF262 / HdRS175-HdRS206 |
| HdR-PBA30206 | INPUT BEARING HdRF133-HdRF206 / HdRF325 |
| HdR-PBA30207 | INPUT BEARING HdRS325 |
| Bearings / Output | |
| HdR-PBA30204 | OUTPUT BEARING HdRF133 / HdRS133 |
| HdR-PBA30206 | OUTPUT BEARING HdRF175-HdRF206 / HdRS175-HdRS206 |
| HdR-PBA30207 | OUTPUT BEARING HdRF237-HdRF262 / HdRS237-HdRS262 |
| HdR-PBA30208 | OUTPUT BEARING HdRF325 / HdRS325 |
| HdR-PBA32008 | OUTPUT BEARING HdRF175 HOLLOW BORE |
| HdR-PBA32009 | OUTPUT BEARING HdRF206 HOLLOW BORE |
| HdR-PBA32010 | OUTPUT BEARING HdRF237 HOLLOW BORE |
| HdR-PBA32012 | OUTPUT BEARING HdRF262 HOLLOW BORE |
| HdR-PBA32014 | OUTPUT BEARING HdRF325 HOLLOW BORE |
| Input Flanges | |
| HdR-KFYG0331651 | INPUT FLANGE HdRF133-HdRF154 (56C) |
| HdR-KFYG0451651 | INPUT FLANGE HdRF175-HdRF206 (56C) |
| HdR-KFYG0611651 | INPUT FLANGE HdRF237-HdRF262 (56C/145TC) |
| HdR-KFYG0612281 | INPUT FLANGE HdRF262 (182/4TC) |
| HdR-KFYG0831651 | INPUT FLANGE HdRF325 (56C/145TC) |
| HdR-KFYG0832281 | INPUT FLANGE HdRF325 (182/4TC) |
| Oil Seals / Sealed | |
| HdR-PSS000040087 | OIL SEAL / SEALED HdRF133-HdRF206 |
| HdR-PSS000052079 | OIL SEAL / SEALED HdRF237-HdRF262 |
| HdR-PSS000062107 | OIL SEAL / SEALED HdRF325 |

| Model Number | Description |
|---------------------------|---|
| Oil Seals / Input | |
| HdR-PSS030042081 | OIL SEAL / INPUT HdRF133-HdRF325 (56C) |
| HdR-PSS035042081 | OIL SEAL / INPUT HdRF237-HdRF262 (145TC) |
| HdR-PSS045062081 | OIL SEAL / INPUT HdRF262-HdRF325 (182/4TC) |
| HdR-PSS045062081 | OIL SEAL / INPUT HdRF325 (145TC) |
| HdR-PSS017035071 | OIL SEAL / INPUT HdRS133 (56C) |
| HdR-PSS020035081 | OIL SEAL / INPUT HdRS175-HdRS206 (56C) |
| HdR-PSS025035061 | OIL SEAL / INPUT HdRS237-HdRS262 (56C) |
| HdR-PSS030040071 | OIL SEAL / INPUT HdRS325-(56C) |
| Oil Seals / Output | |
| HdR-PSS020032061 | OIL SEAL / OUTPUT HdRF133 / HdRS133 |
| HdR-PSS025045081 | OIL SEAL / OUTPUT HdRF175 / HdRS175 |
| HdR-PSS030047061 | OIL SEAL / OUTPUT HdRF206 / HdRS206 |
| HdR-PSS035050081 | OIL SEAL / OUTPUT HdRF237 / HdRS237 |
| HdR-PSS035055081 | OIL SEAL / OUTPUT HdRF262 / HdRS262 |
| HdR-PSS040055081 | OIL SEAL / OUTPUT HdRF325 / HdRS325 |
| HdR-PSS040062121 | OIL SEAL / OUTPUT HdRF175 HOLLOW BORE |
| HdR-PSS045068121 | OIL SEAL / OUTPUT HdRF206 HOLLOW BORE |
| HdR-PSS050072121 | OIL SEAL / OUTPUT HdRF237 HOLLOW BORE |
| HdR-PSS060082121 | OIL SEAL / OUTPUT HdRF262 HOLLOW BORE |
| HdR-PSS070095131 | OIL SEAL / OUTPUT HdRF325 HOLLOW BORE |
| Set Screws | |
| HdR-H-PTCB10006F | SET SCREW HdRF133-HdRF175 / HdRS133-HdRS175 |
| HdR-H-PTCB02009F | SET SCREW HdRF206-HdRF237 / HdRS206-HdRS237 |
| HdR-H-PTCB02011F | SET SCREW HdRF262 / HdRS262 |
| HdR-H-PTCBH2009F | SET SCREW HdRF325 / HdRS325 |